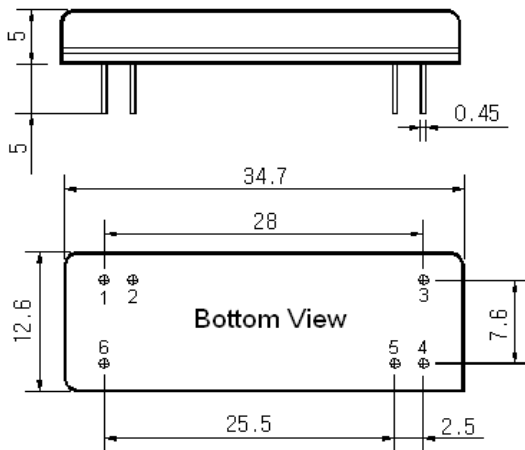




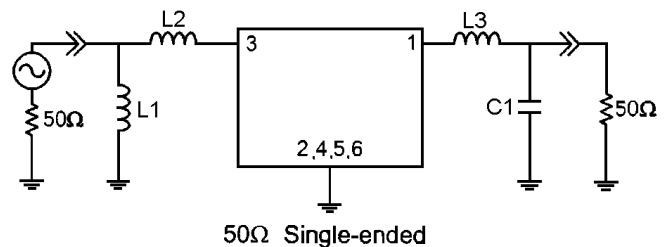
Specification 2Filter Cascading Data

Parameter	Unit	Min.	Typ.	Max.
Center Frequency	MHz	-	13.00	-
Insertion Loss	dB	-	26.00	28.50
Passband Ripple($F_c \pm 200\text{KHz}$)	dB	-	3.50	-
Absolute Delay	usec	-	7.62	-
Ultimate Attenuation	dB	-	80	-
Substrate Material	-	112-LiTaO ₃		
Temperature Coefficient	ppm/°C	-20		

Package Dimension



Matching Configuration

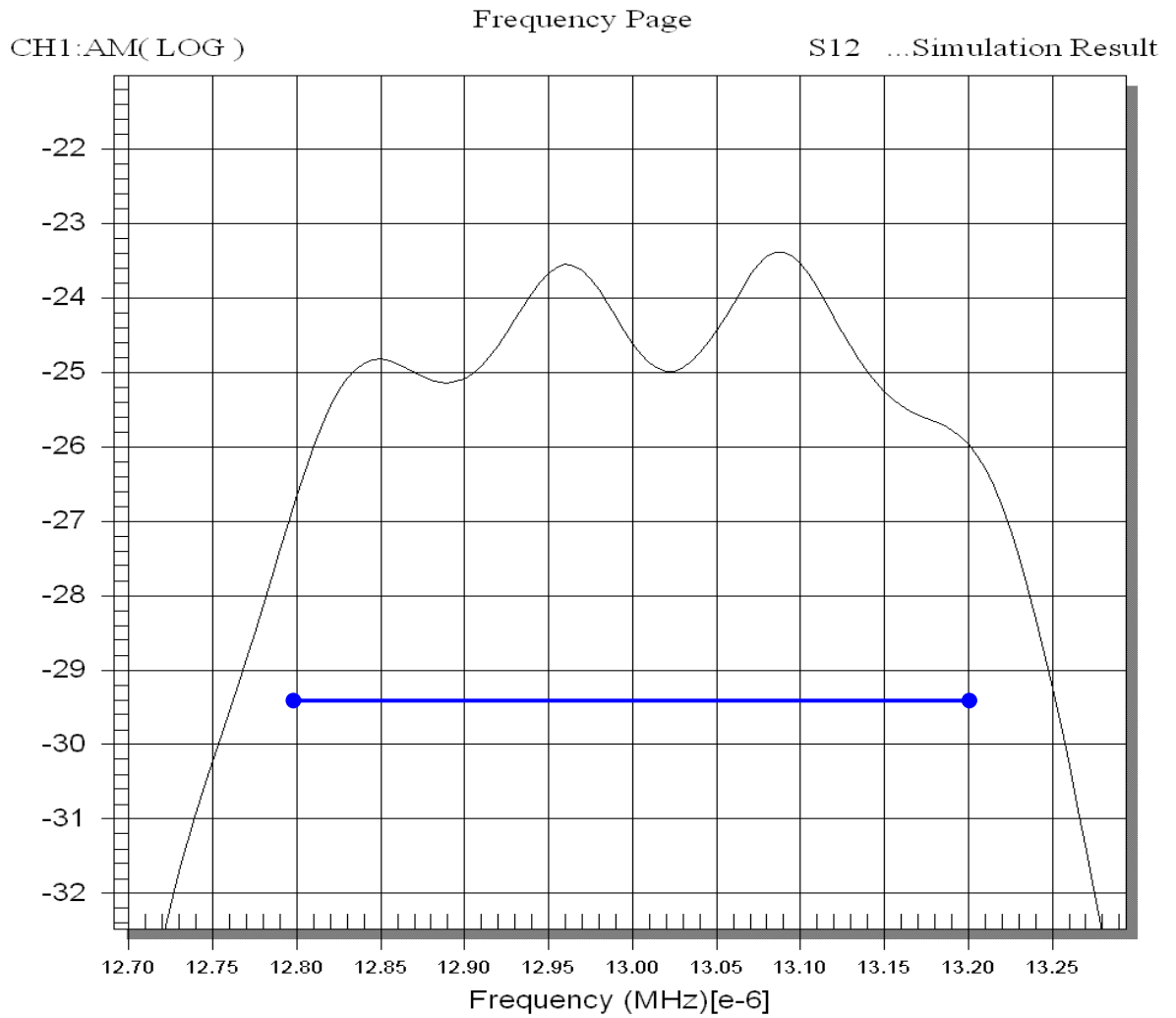


L1=0.47μH, L2=1.0μH, L3=1.2μH, C1=300pF,
Source / Load Impedance = 50Ω
Ambient Temperature = 25°C

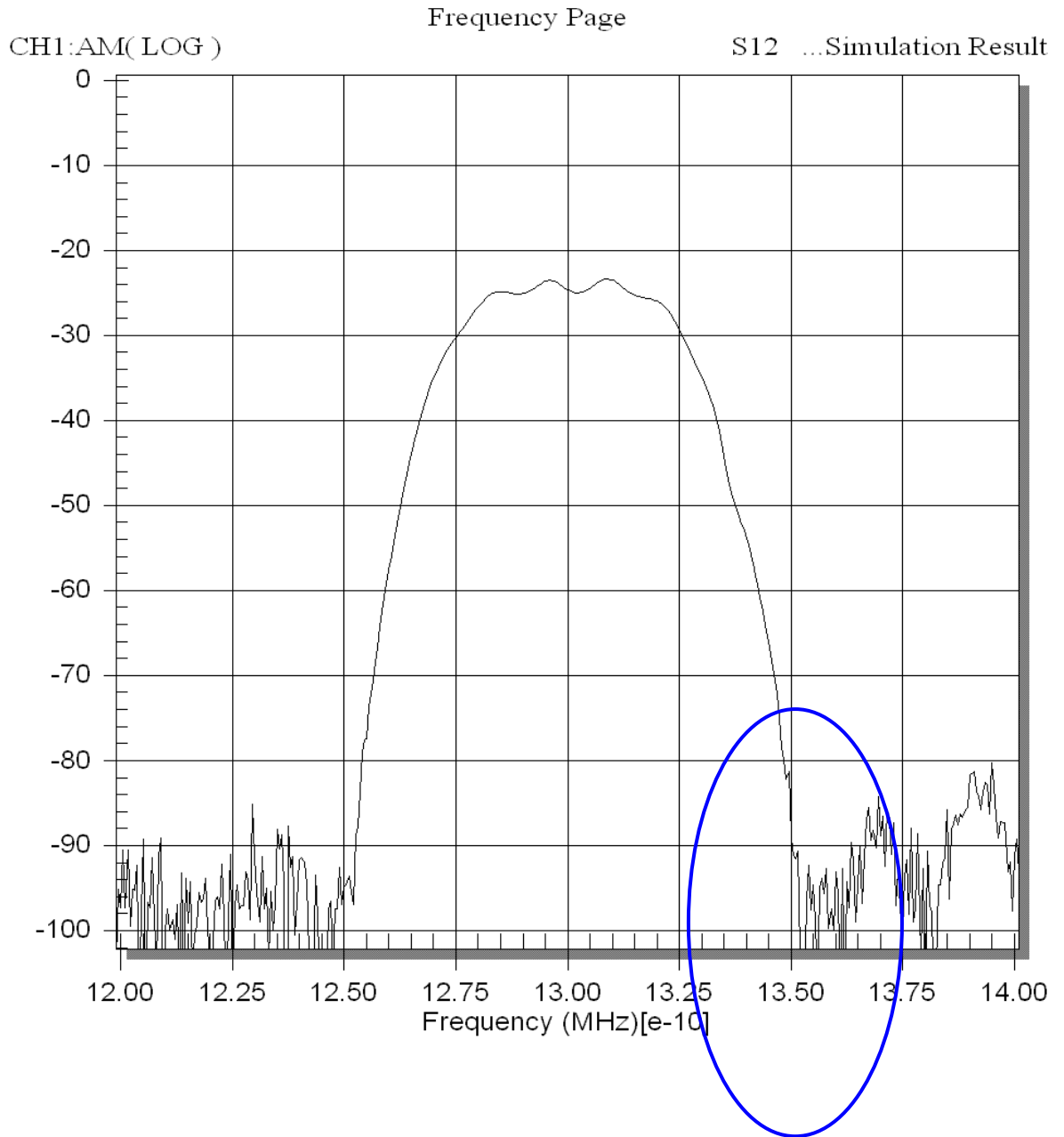
Rev.0 090403

Typical Performance : 2Filter Cascading Data

RIPPLE



SPAN 2MHz_13.5MHz Attenuation



SPAN 50MHz_Wideband Attenuation

