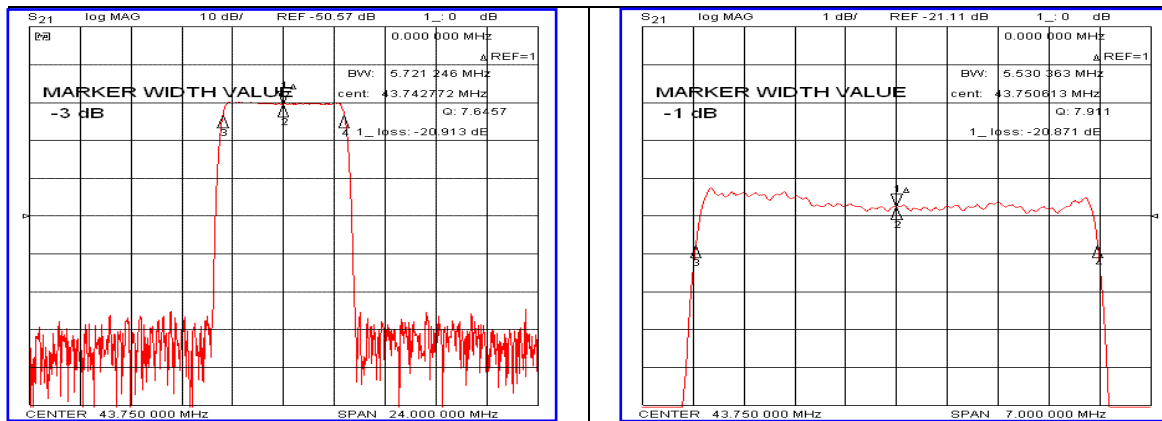


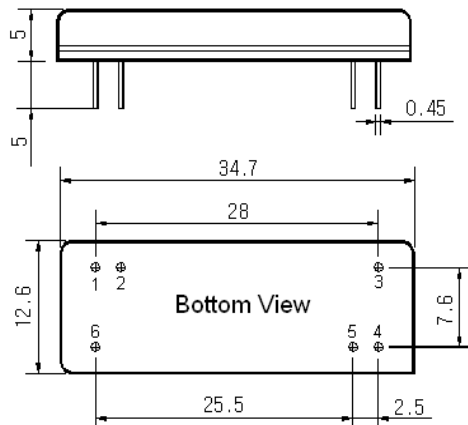
Typical Performance



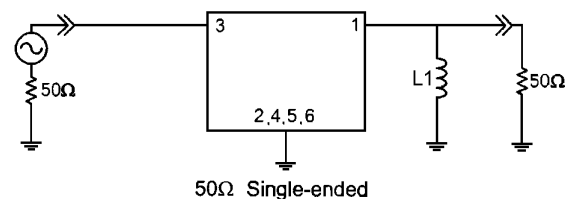
Specification

Parameter	Unit	Min.	Typ.	Max.
Center Frequency	MHz	-	43.75	-
Insertion Loss	dB	-	20.80	23.00
1dB Bandwidth	MHz	5.30	5.53	-
3dB Bandwidth	MHz	-	5.72	-
40dB Bandwidth	MHz	-	6.55	6.80
Passband Ripple(41.25~45.75MHz)	dB	-	0.55	1.00
Group Delay Variation(41.25~45.75MHz)	nsec	-	75	150
Absolute Delay	usec	-	3.40	-
Ultimate Attenuation	dB	50	55	-
Relative Attenuation 39.75MHz & 47.25MHz Point	dB	50	60	-
Temperature Coefficient	ppm/°C	-72		

Package Dimension



Matching Configuration



L1=270nH
 Source / Load Impedance = 50Ω
 Ambient Temperature = 25°C

Rev.1 120905

