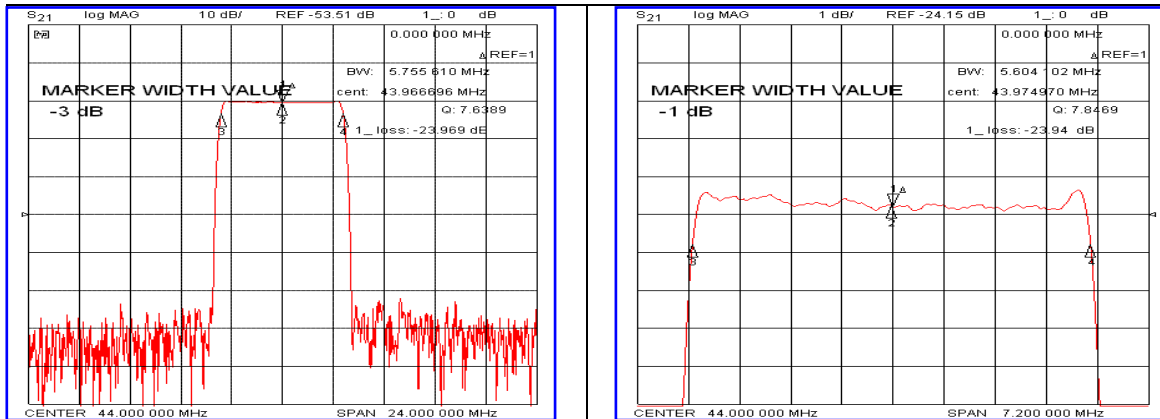


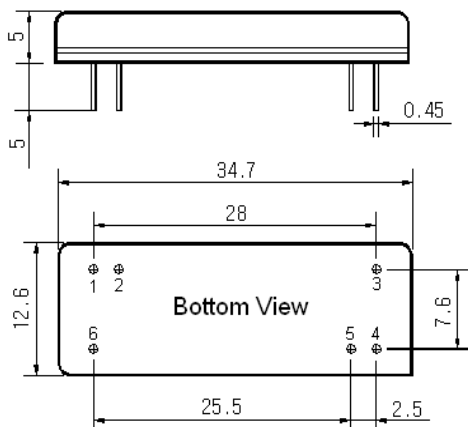
Typical Performance



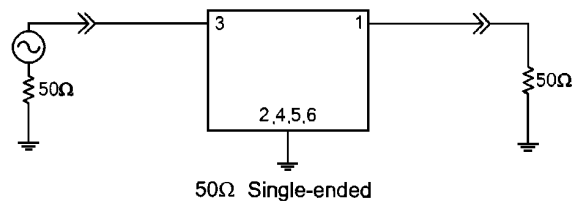
Specification

Parameter	Unit	Min.	Typ.	Max.
Center Frequency	MHz	43.94	44.00	44.06
Insertion Loss	dB	-	24.50	26.50
1dB Bandwidth	MHz	5.40	5.60	-
3dB Bandwidth	MHz	-	5.76	-
40dB Bandwidth	MHz	-	6.44	6.60
Passband Ripple(Fc ± 2.69MHz)	dB	-	0.55	1.00
Group Delay Variation(Fc ± 2.69MHz)	nsec	-	100	150
Absolute Delay	usec	-	3.88	-
Ultimate Attenuation	dB	-	53	-
Relative Attenuation 39.75MHz & 47.25MHz Point	dB	50	55	-
Temperature Coefficient	ppm/°C		-94	

Package Dimension



Matching Configuration



No matching Required
 Source / Load Impedance = 50Ω
 Ambient Temperature = 25°C

Rev.1 120720

