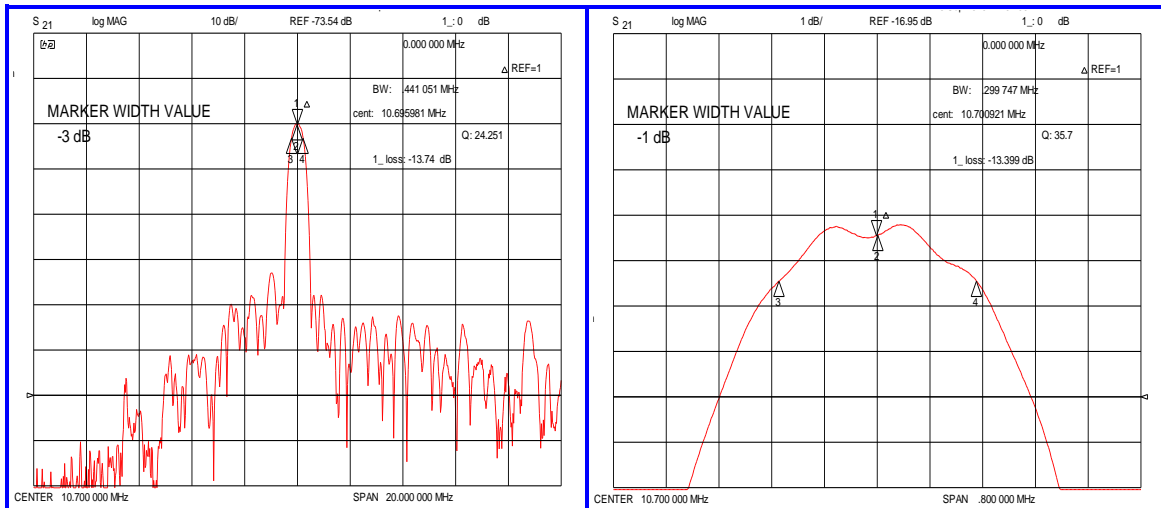


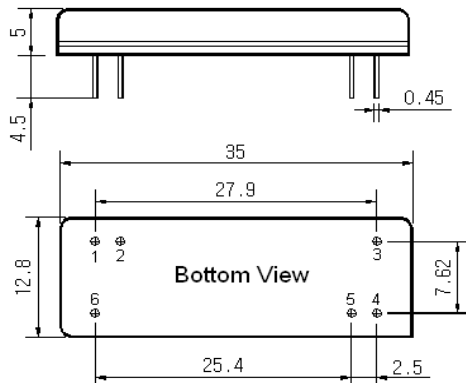
### Typical Performance



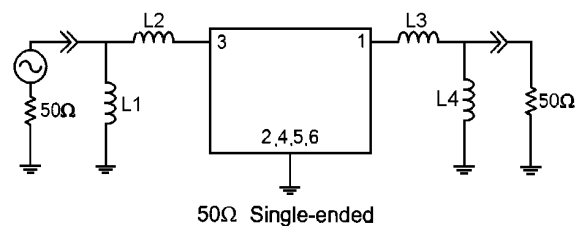
### Specification

Parameter	Unit	Min.	Typ.	Max.
Center Frequency	MHz	10.65	10.70	10.75
Insertion Loss	dB	-	14.00	16.00
1dB Bandwidth	MHz	0.20	0.29	-
3dB Bandwidth	MHz	-	0.44	-
30dB Bandwidth	MHz	-	0.95	1.25
Passband Ripple	dB	-	0.90	1.20
Absolute Delay	μsec	-	4.35	-
Group Delay Variation	nsec	-	400	800
Attenuation				
3.0 ~ 9.4MHz	dB	25	35	-
12.0 ~ 20.0MHz	dB	25	35	-
Substrate Material	-	112-LiTaO <sub>3</sub>		
Temperature Coefficient	ppm/°C	-18		

### Package Dimension



### Matching Configuration



L1=2.2uH, L2=2.2uH, L3=2.7uH, L4=2.7uH  
 Source / Load Impedance = 50Ω  
 Ambient Temperature = 25°C

Rev0. 150917

