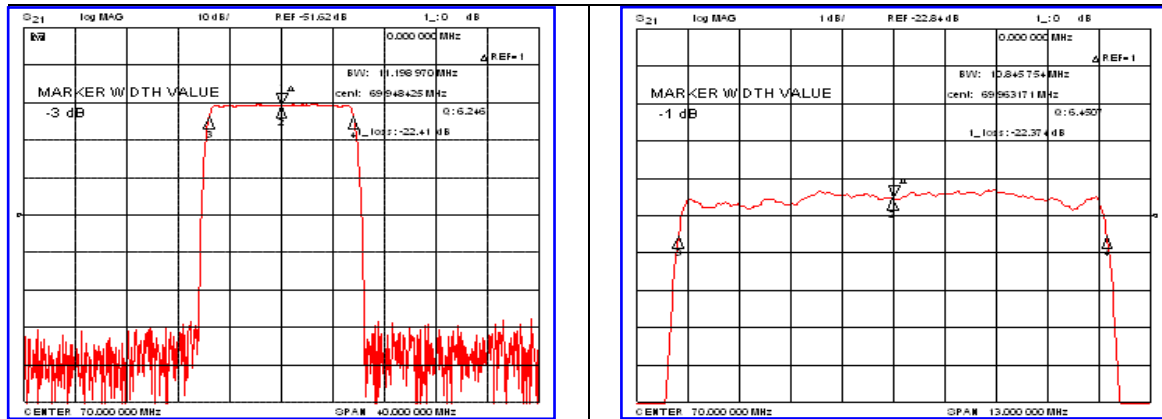


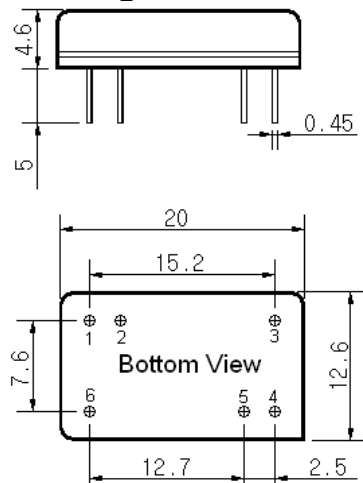
### Typical Performance



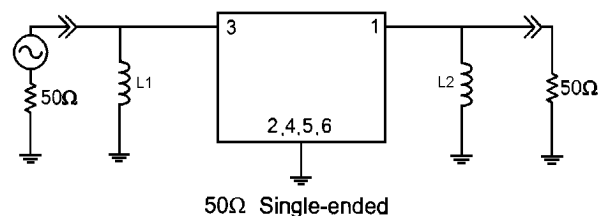
### Specification

Parameter	Unit	Min.	Typ.	Max.
Center Frequency	MHz	69.92	70.00	70.08
Insertion Loss	dB	-	22.50	24.00
1dB Bandwidth	MHz	-	10.84	-
3dB Bandwidth	MHz	11.00	11.19	-
40dB Bandwidth	MHz	-	12.64	12.80
Passband Ripple	dB	-	0.52	1.00
Group Delay Variation	nsec	-	50	100
Absolute Delay	μsec	-	2.14	-
Ultimate Attenuation	dB	50	55	-
Substrate Material	-	128- LiNbO <sub>3</sub>		
Temperature Coefficient	ppm/°C	-72		

### Package Dimension



### Matching Configuration



L1=220nH, L2=220nH  
 Source / Load Impedance = 50Ω  
 Ambient Temperature = 25°C

Rev0. 080911

