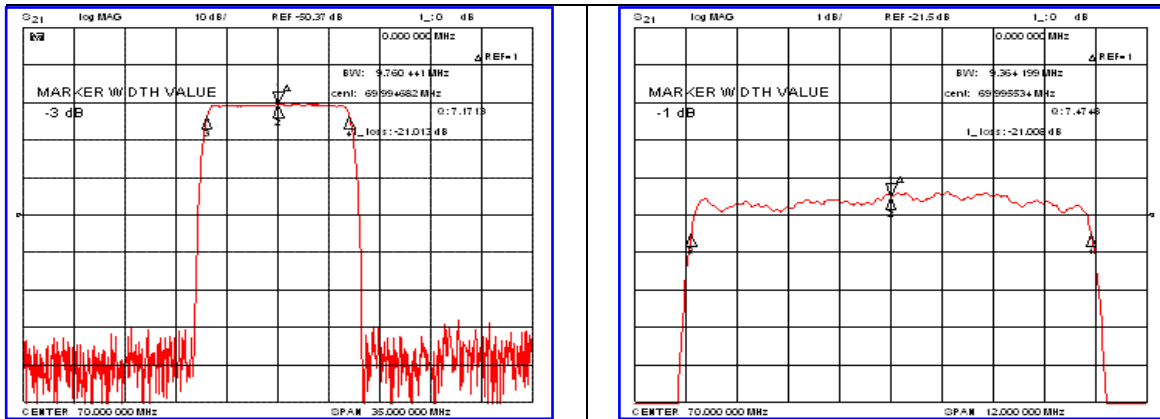


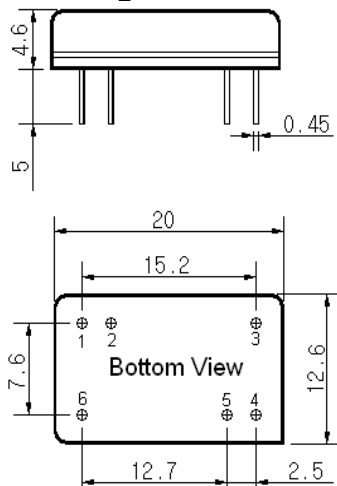
Typical Performance



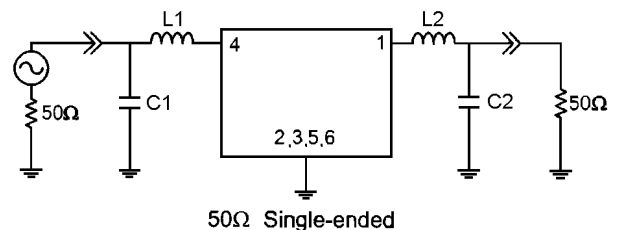
Specification

Parameter	Unit	Min.	Typ.	Max.
Center Frequency	MHz	69.92	70.00	70.08
Insertion Loss	dB	-	21.50	23.00
1dB Bandwidth	MHz	-	9.36	-
3dB Bandwidth	MHz	9.60	9.76	-
40dB Bandwidth	MHz	-	11.25	11.40
Passband Ripple	dB	-	0.60	1.00
Group Delay Variation	nsec	-	70	120
Absolute Delay	μsec	-	2.13	-
Ultimate Attenuation	dB	50	55	-
Substrate Material	-	128 - LiNbO ₃		
Temperature Coefficient	ppm/°C	-72		

Package Dimension



Matching Configuration



L1=82nH, L2=100nH, C1=43pF, C2=43pF
 Source / Load Impedance = 50Ω
 Ambient Temperature = 25°C

Rev0. 080822

