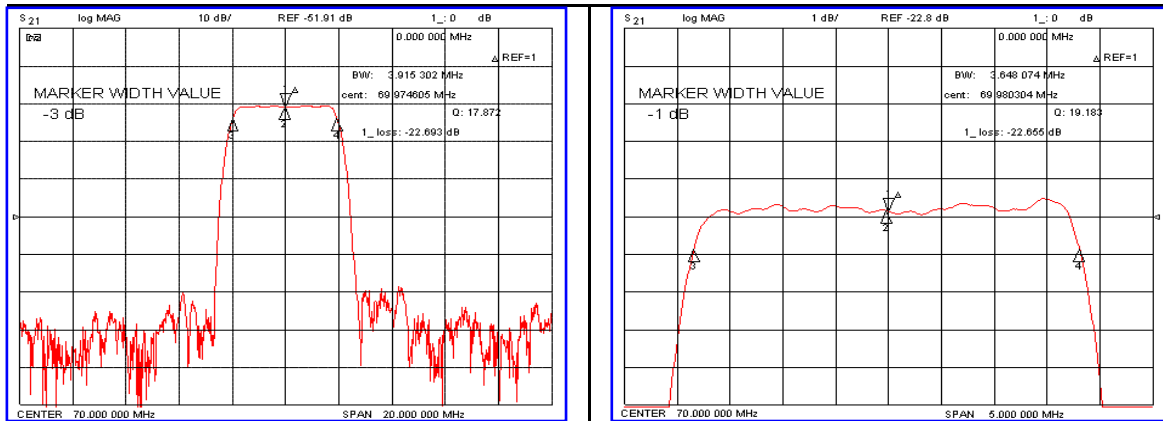


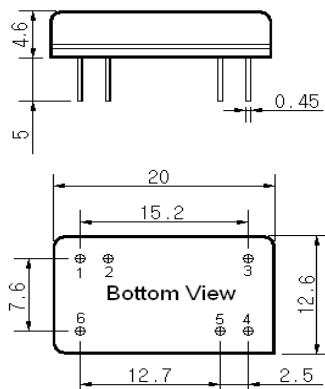
### Typical Performance



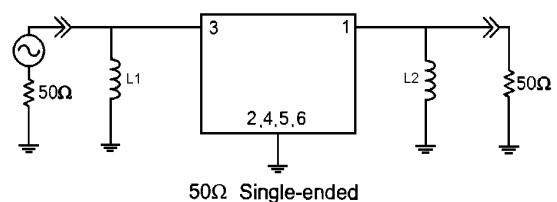
### Specification

Parameter	Unit	Min.	Typ.	Max.
Center Frequency (Fc)	MHz	69.92	70.00	70.08
Insertion Loss	dB	-	22.70	25.00
1dB Bandwidth	MHz	-	3.64	-
3dB Bandwidth	MHz	3.80	3.91	-
40dB Bandwidth	MHz	-	5.15	5.30
Passband Ripple	dB	-	0.50	1.00
Group Delay Variation	nsec	-	80	150
Absolute Delay	µsec	-	2.00	-
Relative Attenuation Fc±5MHz ~ Fc±20MHz	dB	50	55	-
Ultimate Attenuation	dB	45	48	-
Substrate Material	-	LiTaO <sub>3</sub>		
Temperature Coefficient	ppm/°C	-20		

### Package Dimension



### Matching Configuration



L1=180nH, L2=270nH  
 Source / Load Impedance = 50Ω  
 Ambient Temperature = 25°C

Rev 0. 070720

