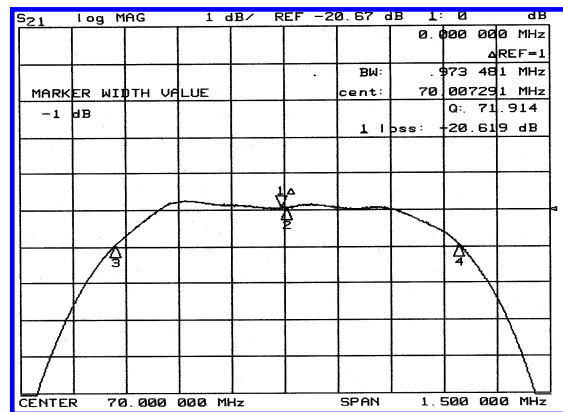
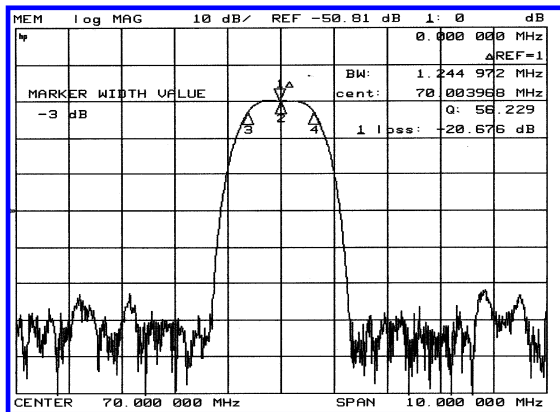


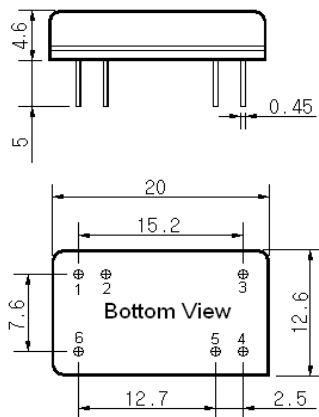
Typical Performance



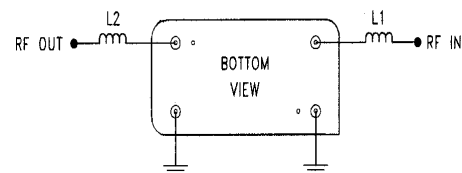
Specification

Parameter	Unit	Min.	Typ.	Max.
Center Frequency	Mhz	69.92	70.00	70.08
Insertion Loss	dB	-	20.50	22.00
1dB Bandwidth	Mhz	0.90	0.98	-
3dB Bandwidth	Mhz	1.20	1.24	-
40dB Bandwidth	Mhz	-	2.39	2.50
Passband Ripple	dB	-	0.45	0.8
Group Delay Variation	nsec	-	50	100
Absolute Delay	µsec	-	2.5	-
Ultimate Attenuation	dB	50	-	-
Substrate Material	-	Quartz		
Temperature Coefficient	ppm/°C	-0.03		

Package Dimension



Matching Configuration



L1 = L2 = 0.27µH
 Source / Load Impedance = 50Ω
 Ambient Temperature = 25°C

04/18/2003