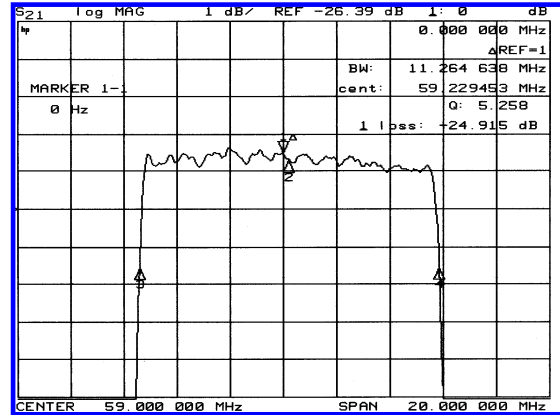
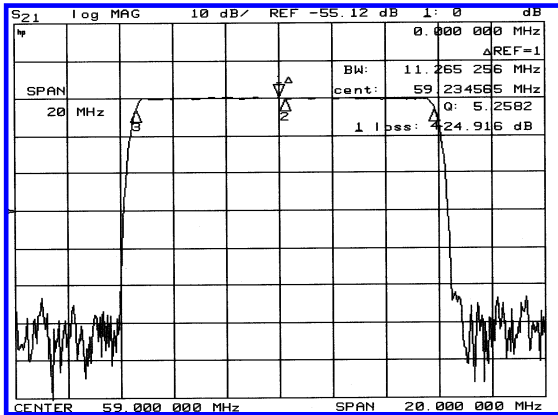


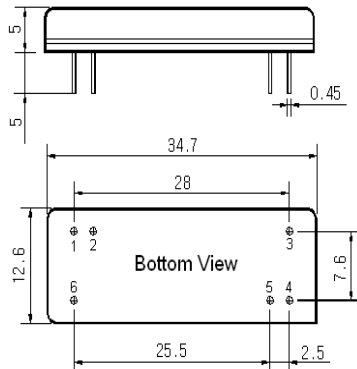
Typical Performance



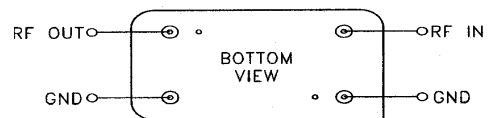
Specification

Parameter	Unit	Min.	Typ.	Max.
Center Frequency	Mhz	59.20	59.25	59.30
Insertion Loss	dB	-	24.50	26.00
3dB Bandwidth	Mhz	11.00	11.25	-
40dB Bandwidth	Mhz	-	12.35	12.55
Passband Ripple	dB	-	0.65	1.00
Group Delay Variation	nsec	-	70	100
Absolute Delay	μsec	-	2.90	-
Ultimate Attenuation	dB	50	55	-
Substrate Material	-	128LiNbO ₃		

Package Dimension



Matching Configuration



Bottom View
 Source / Load Impedance = 50Ω
 Ambient Temperature = 25°C

08/07/2001