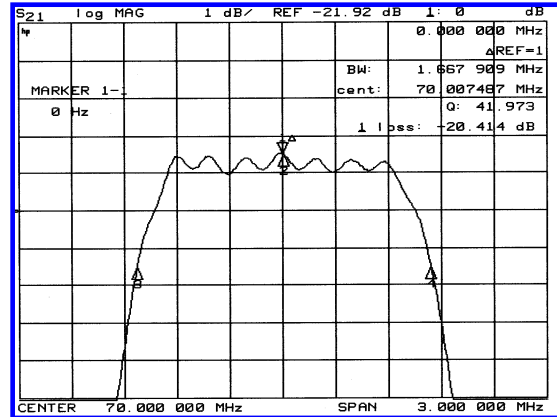
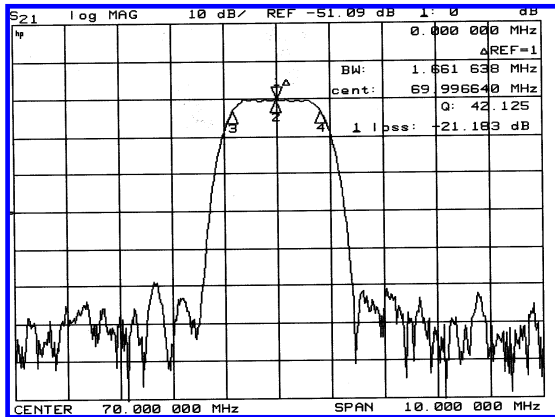


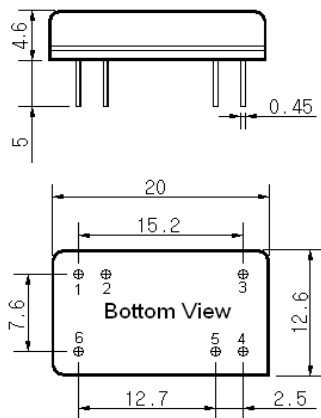
### Typical Performance



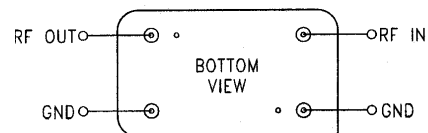
### Specification

Parameter	Unit	Min.	Typ.	Max.
Center Frequency	Mhz	69.92	70.00	70.08
Insertion Loss	dB	-	21.0	22.5
3dB Bandwidth	Mhz	1.50	1.68	-
40dB Bandwidth	Mhz	-	2.70	3.00
Passband Ripple	dB	-	0.55	1.00
Group Delay Variation	nsec	-	150	200
Absolute Delay	µsec	-	2.59	-
Ultimate Attenuation	dB	50	55	-
Substrate Material	-	112-LiTaO <sub>3</sub>		

### Package Dimension



### Matching Configuration



Bottom View  
Source / Load Impedance = 50Ω  
Ambient Temperature = 25°C

03/10/2001