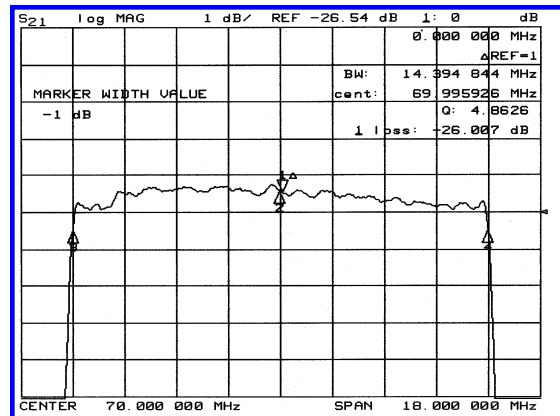
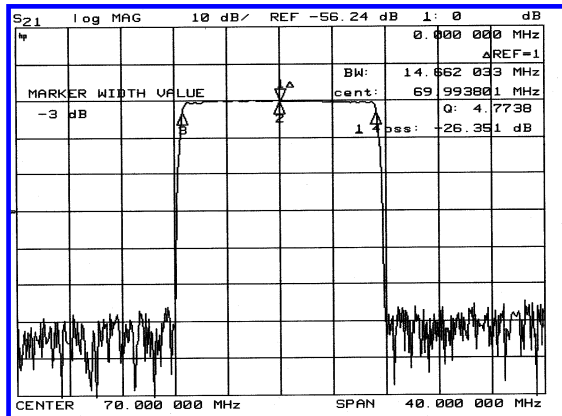


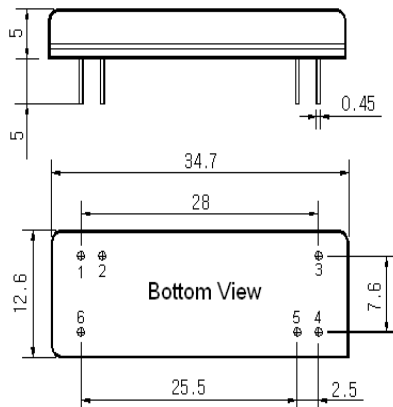
Typical Performance



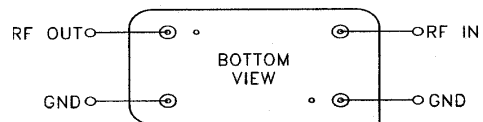
Specification

Parameter	Unit	Min.	Typ.	Max.
Center Frequency	Mhz	69.92	70.00	70.08
Insertion Loss	dB	-	26.0	28.0
3dB Bandwidth	Mhz	14.50	14.65	-
50dB Bandwidth	Mhz	-	15.70	15.90
Passband Ripple	dB	-	0.75	1.00
Group Delay Variation	nsec	-	80	130
Absolute Delay	usec	-	2.83	-
Ultimate Attenuation	dB	50	55	-
Substrate Material	-	128 LiNbO ₃		

Package Dimension



Matching Configuration



Bottom View
Source / Load Impedance = 50Ω
Ambient Temperature = 25°C

08/07/2001