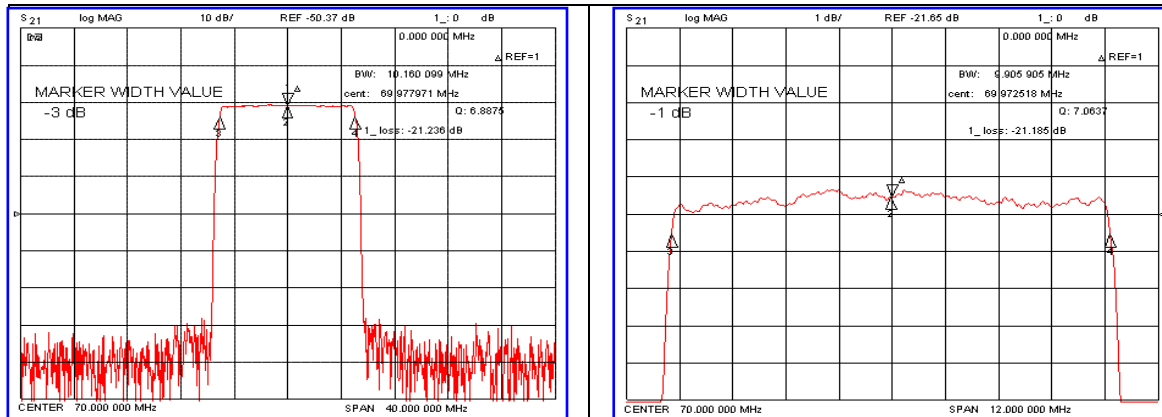


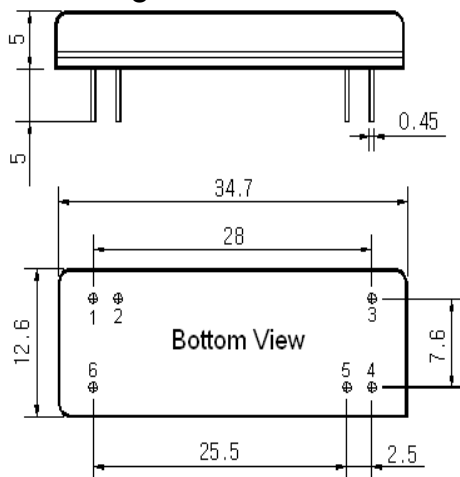
Typical Performance



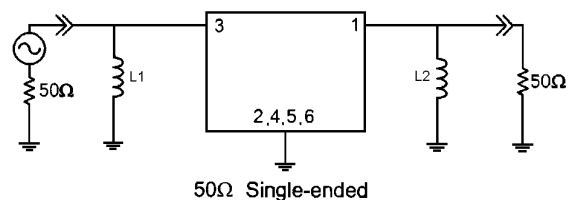
Specification

Parameter	Unit	Min.	Typ.	Max.
Center Frequency	MHz	69.92	70.00	70.08
Insertion Loss	dB	-	21.50	24.00
1dB Bandwidth	MHz	-	9.90	-
3dB Bandwidth	MHz	10.00	10.16	-
40dB Bandwidth	MHz	-	11.12	-
50dB Bandwidth	MHz	-	11.21	11.40
Passband Ripple($F_c \pm 4.375$ MHz)	dB	-	0.60	1.00
Group Delay Variation($F_c \pm 4.375$ MHz)	nsec	-	56	100
Absolute Delay	μ sec	-	3.1	-
Ultimate Attenuation	dB	50	55	-
Temperature Coefficient	ppm/ $^{\circ}$ C	-72		

Package Dimension



Matching Configuration



L1=390nH, L2=470nH
 Source / Load Impedance = 50 Ω
 Ambient Temperature = 25 $^{\circ}$ C

Rev1. 070228

