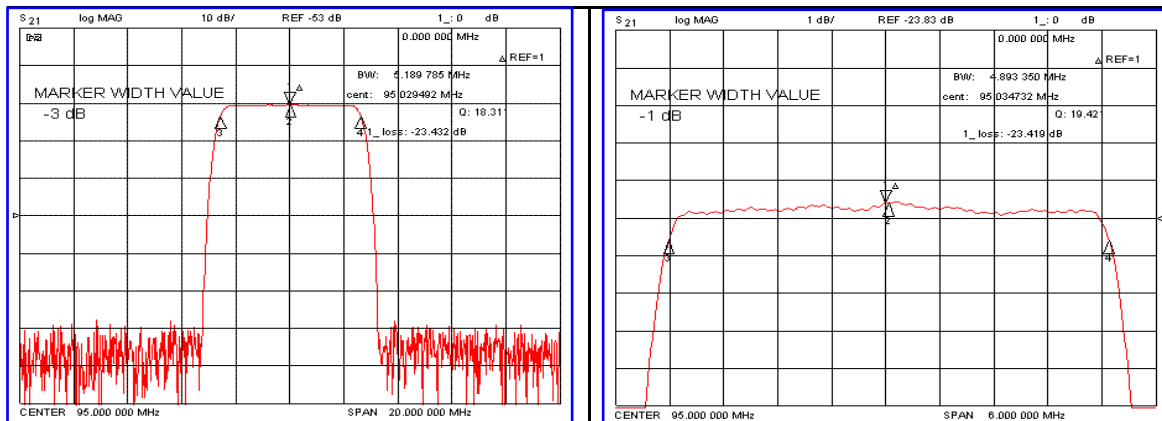


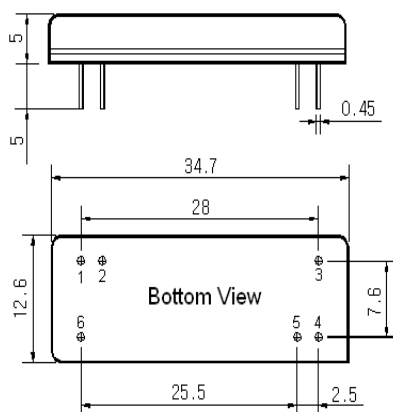
Typical Performance



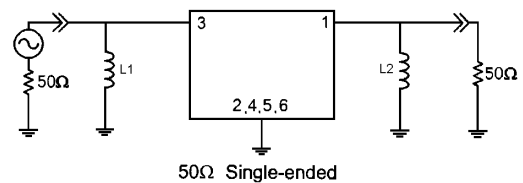
Specification

Parameter	Unit	Min.	Typ.	Max.
Center Frequency (Fc)	MHz	94.90	95.00	95.10
Insertion Loss	dB	-	23.40	25.00
1dB Bandwidth	MHz	-	4.89	-
3dB Bandwidth	MHz	5.00	5.19	-
40dB Bandwidth	MHz	-	6.30	6.50
Passband Ripple	dB	-	0.5	1.00
Group Delay Variation	nsec	-	90	200
Absolute Delay	μsec	-	3.69	-
Ultimate Attenuation	dB	50	55	
Substrate Material	-	LiTaO ₃		
Temperature Coefficient	ppm/°C	-20		

Package Dimension



Matching Configuration



L1 = 82nH, L2 = 68nH
 Source / Load Impedance = 50Ω
 Ambient Temperature = 25°C

09/14/2006

