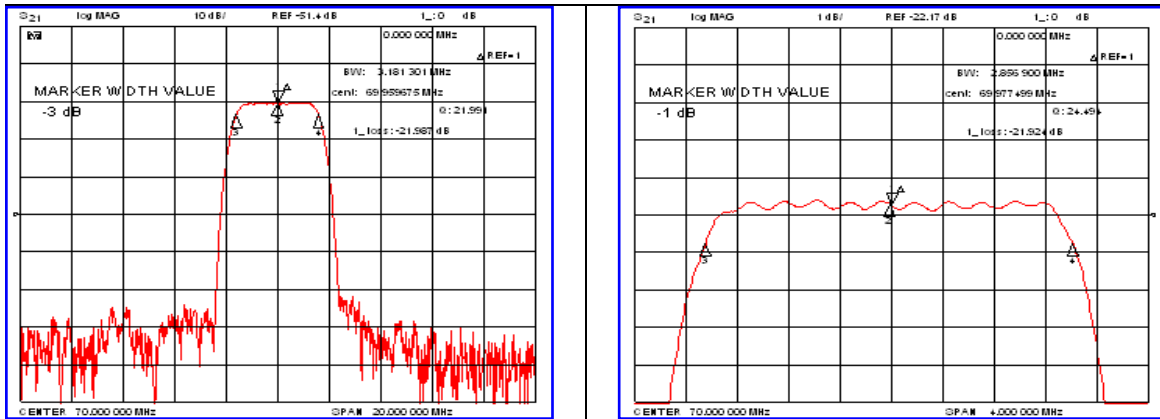


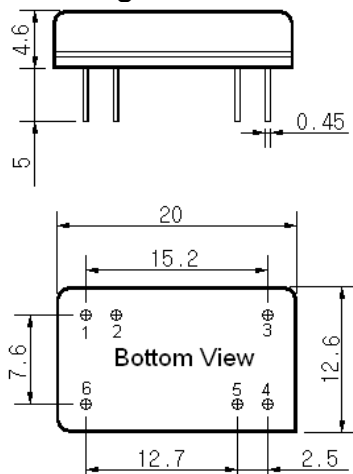
Typical Performance



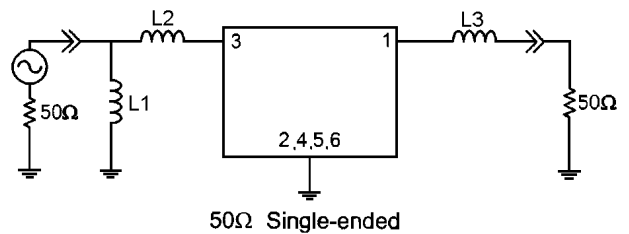
Specification

Parameter	Unit	Min.	Typ.	Max.
Center Frequency	MHz	69.92	70.00	70.08
Insertion Loss	dB	-	22.00	24.00
1dB Bandwidth	MHz	-	2.85	-
3dB Bandwidth	MHz	3.00	3.18	-
40dB Bandwidth	MHz	-	4.57	4.70
Passband Ripple	dB	-	0.35	0.80
Group Delay Variation	nsec	-	100	200
Absolute Delay	μsec	-	1.93	-
Ultimate Attenuation	dB	48	52	-
Substrate Material	-	LiTaO ₃		
Temperature Coefficient	ppm/°C	-20		

Package Dimension



Matching Configuration



L1=150nH, L2=33nH, L3=33nH
 Source / Load Impedance = 50Ω
 Ambient Temperature = 25°C

Rev0. 080821

