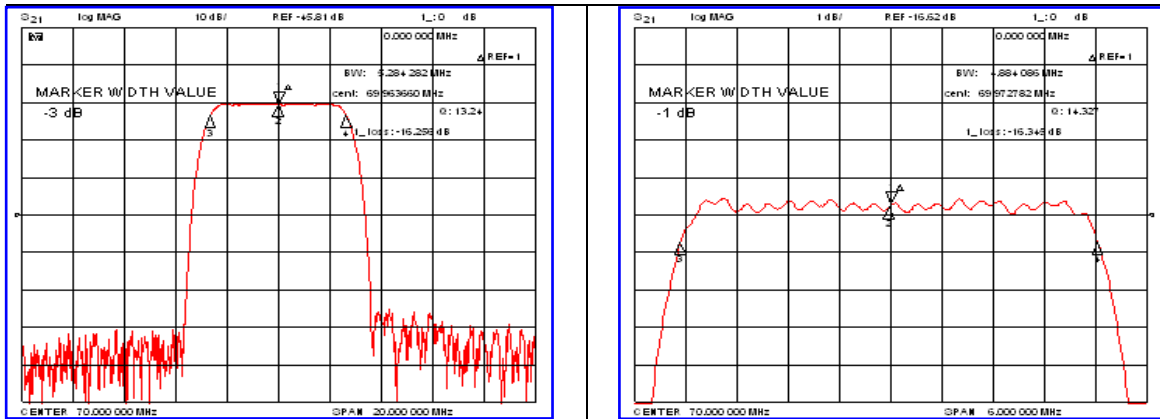


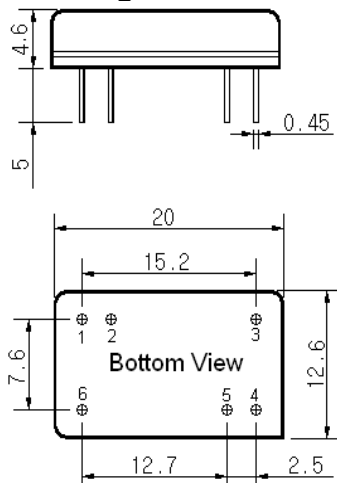
Typical Performance



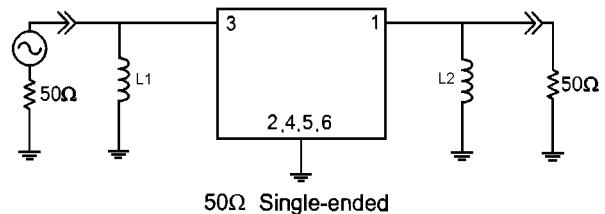
Specification

Parameter	Unit	Min.	Typ.	Max.
Center Frequency	MHz	69.92	70.00	70.08
Insertion Loss	dB	-	16.50	18.50
1dB Bandwidth	MHz	-	4.88	-
3dB Bandwidth	MHz	5.00	5.28	-
40dB Bandwidth	MHz	-	7.00	7.20
Passband Ripple	dB	-	0.46	1.00
Group Delay Variation	nsec	-	150	250
Absolute Delay	µsec	-	2.02	-
Ultimate Attenuation	dB	50	55	-
Substrate Material	-	YZ- LiNbO ₃		
Temperature Coefficient	ppm/°C	-94		

Package Dimension



Matching Configuration



L1=470nH, L2=470nH
 Source / Load Impedance = 50Ω
 Ambient Temperature = 25°C

Rev0. 080821

