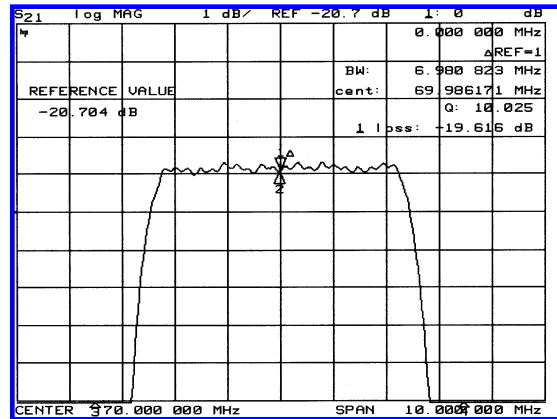
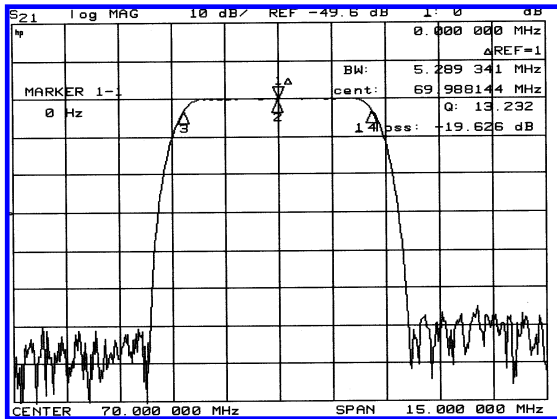


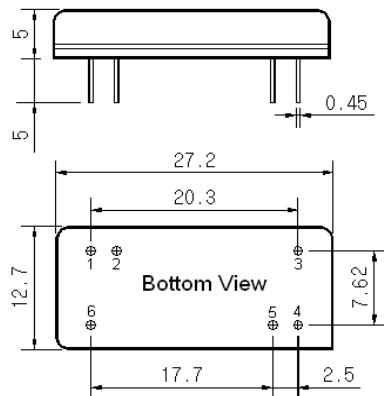
Typical Performance



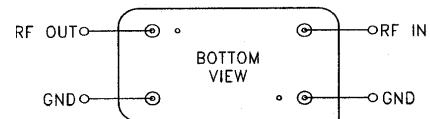
Specification

Parameter	Unit	Min.	Typ.	Max.
Center Frequency	Mhz	69.92	70.00	70.08
Insertion Loss	dB	-	20.00	21.50
1dB Bandwidth	Mhz	4.60	4.80	-
3dB Bandwidth	Mhz	5.00	5.25	-
40dB Bandwidth	Mhz	-	7.00	7.30
Passband Ripple	dB	-	0.45	0.80
Group Delay Variation	nsec	-	80	150
Absolute Delay	μsec	-	2.16	-
Ultimate Attenuation	dB	50	60	-
Substrate Material	-	YZ-LiNbO ₃		

Package Dimension



Matching Configuration



No Matching Required
 Source / Load Impedance = 50Ω
 Ambient Temperature = 25°C

05/15/2003