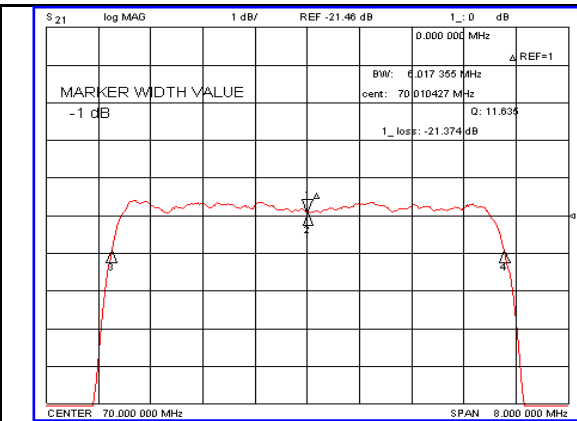
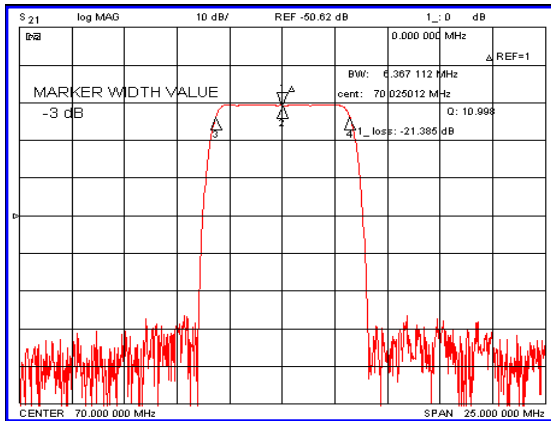


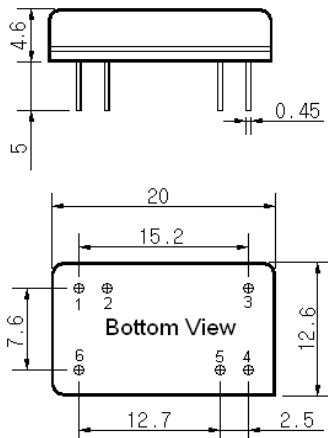
### Typical Performance



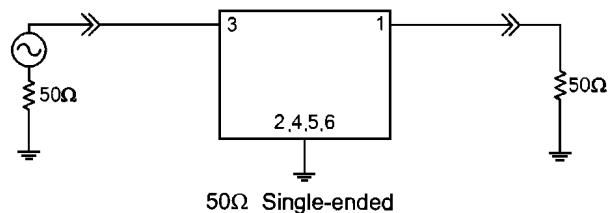
### Specification

Parameter	Unit	Min.	Typ.	Max.
Center Frequency	MHz	69.92	70.00	70.08
Insertion Loss	dB	-	21.38	23.00
1dB Bandwidth	MHz	-	6.00	-
3dB Bandwidth	MHz	6.20	6.36	-
40dB Bandwidth	MHz	-	7.82	8.00
Passband Ripple	dB	-	0.45	1.00
Group Delay Variation	nsec	-	80	150
Absolute Delay	μsec	-	2.31	-
Ultimate Attenuation	dB	50	55	-
Substrate Material	-	YZ-LiNbO <sub>3</sub>		
Temperature Coefficient	ppm/°C	-86		

### Package Dimension



### Matching Configuration



No matching  
 Source / Load Impedance = 50Ω  
 Ambient Temperature = 25°C

Rev1. 080103

