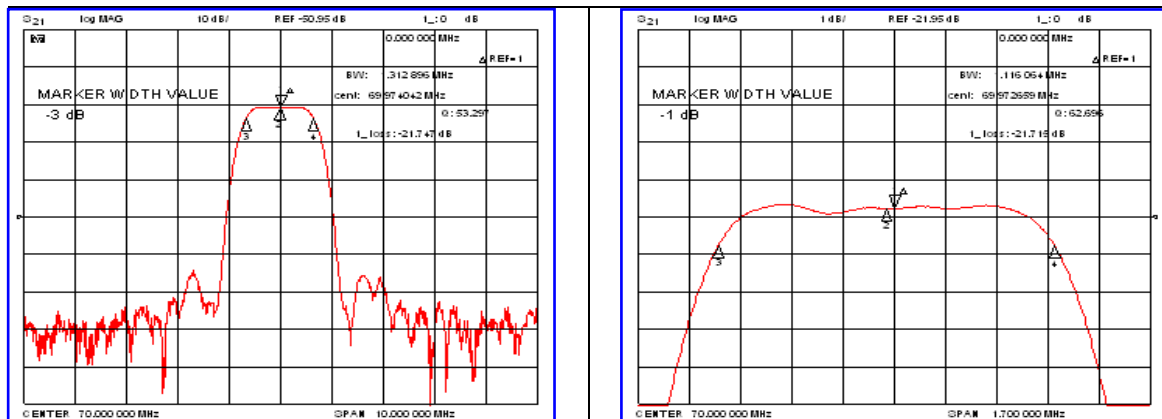


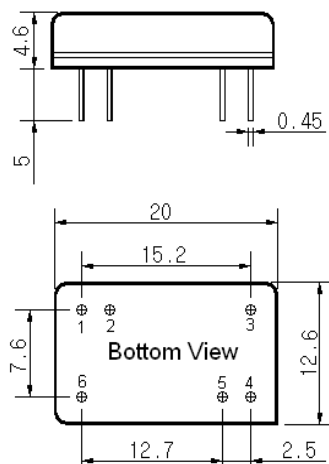
Typical Performance



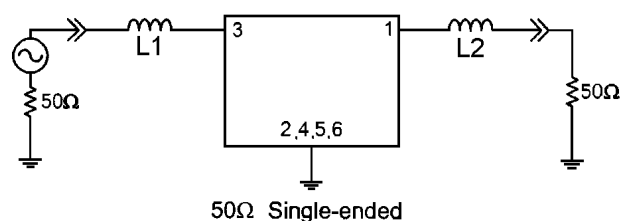
Specification

Parameter	Unit	Min.	Typ.	Max.
Center Frequency	MHz	69.92	70.00	70.08
Insertion Loss	dB	-	21.74	23.50
1dB Bandwidth	MHz	-	1.11	-
3dB Bandwidth	MHz	1.25	1.31	-
40dB Bandwidth	MHz	-	2.22	2.40
Passband Ripple	dB	-	0.50	1.00
Group Delay Variation	nsec	-	80	150
Absolute Delay	µsec	-	2.42	-
Ultimate Attenuation	dB	40	45	-
Substrate Material	-	Quartz		
Temperature Coefficient	ppm/°C	-0.03		

Package Dimension



Matching Configuration



L1=180nH, L2=180nH
 Source / Load Impedance = 50Ω
 Ambient Temperature = 25°C

Rev0. 080821

