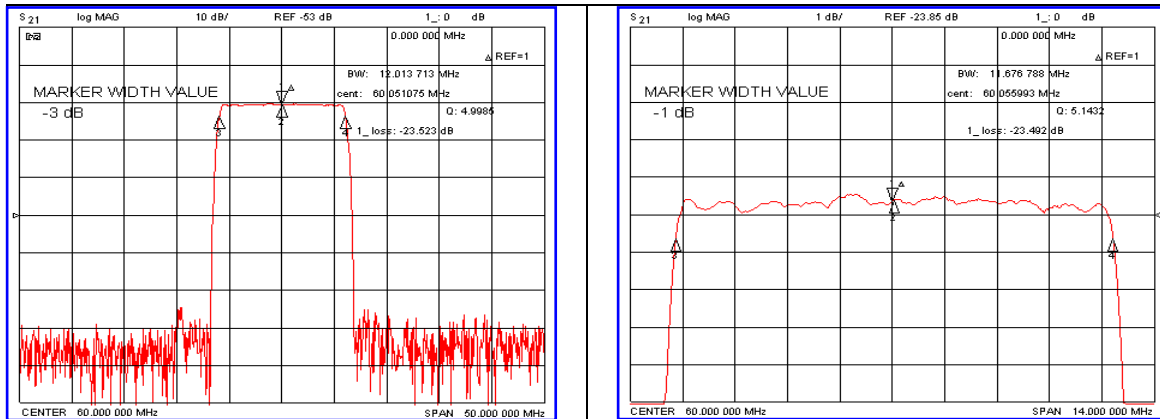


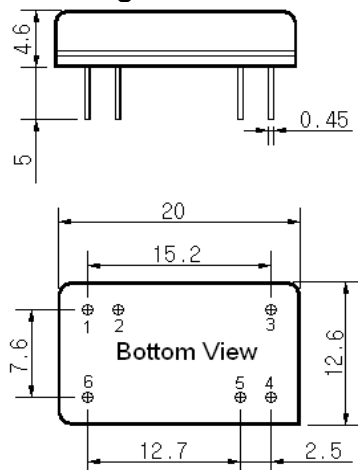
Typical Performance



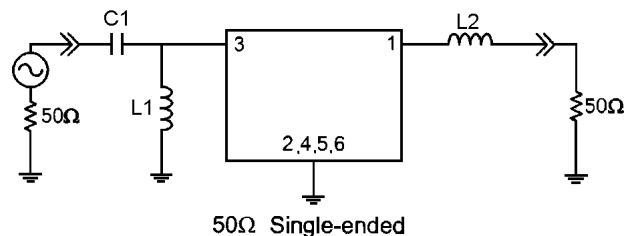
Specification

Parameter	Unit	Min.	Typ.	Max.
Center Frequency	MHz	59.92	60.00	60.08
Insertion Loss	dB	-	23.52	25.00
1dB Bandwidth	MHz	-	11.67	-
3dB Bandwidth	MHz	11.95	12.01	-
40dB Bandwidth	MHz	-	13.43	13.60
Passband Ripple	dB	-	0.55	1.00
Group Delay Variation	nsec	-	50	100
Absolute Delay	µsec	-	2.16	-
Ultimate Attenuation	dB	50	55	-
Substrate Material	-	128-LiNbO ₃		
Temperature Coefficient	ppm/°C	-72		

Package Dimension



Matching Configuration



L1=180nH, L2=82nH, C1=75pF
Source / Load Impedance = 50Ω
Ambient Temperature = 25°C

Rev0. 080102

