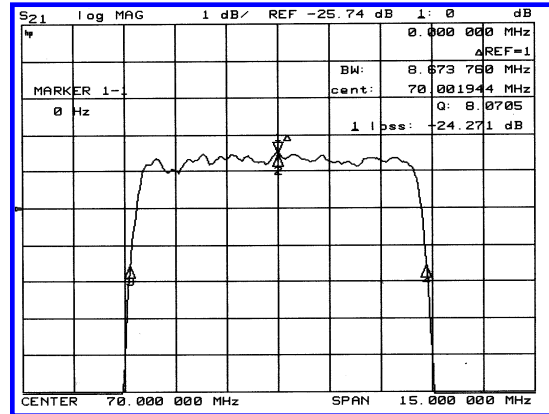
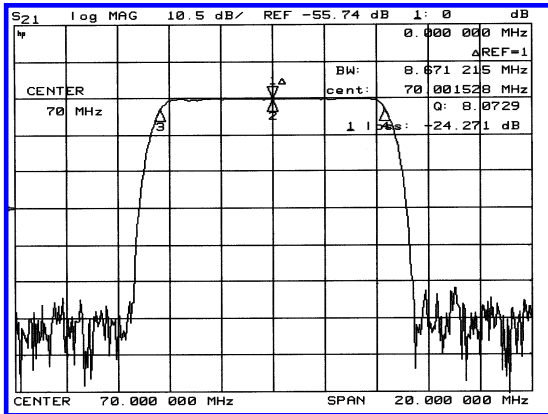


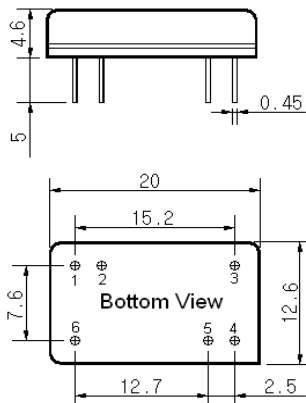
Typical Performance



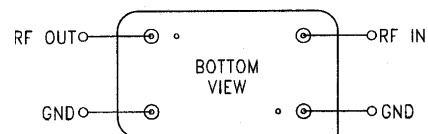
Specification

Parameter	Unit	Min.	Typ.	Max.
Center Frequency	Mhz	69.92	70.00	70.08
Insertion Loss	dB		24.0	25.5
1dB Bandwidth	Mhz	8.00	8.22	
3dB Bandwidth	Mhz	8.50	8.65	
40dB Bandwidth	Mhz		10.55	10.70
Passband Ripple	dB		0.55	0.80
Group Delay Variation	nsec		80	150
Absolute Delay	usec		2.05	
Ultimate Attenuation	dB	50	55	
Substrate Material	-		YZ LiNbO ₃	

Package Dimension



Matching Configuration



Bottom View
 Source / Load Impedance = 50Ω
 Ambient Temperature = 25°C

12/01/2001