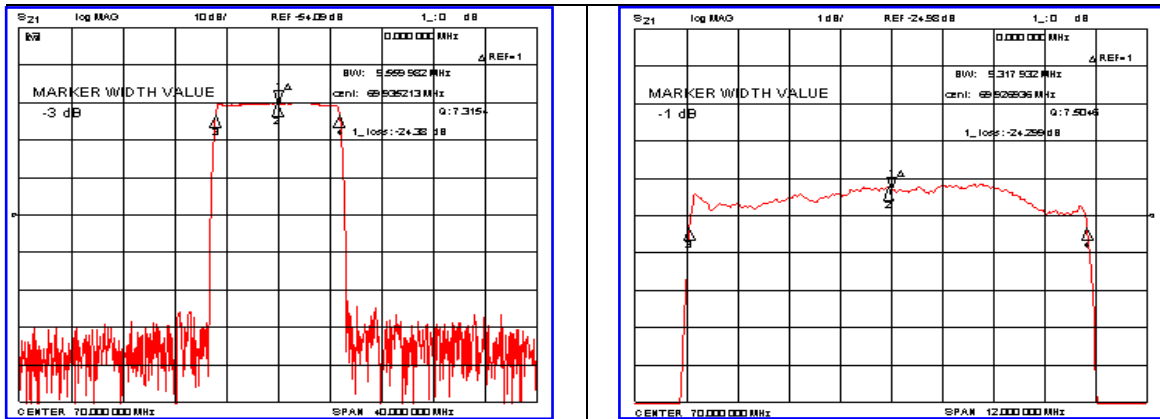


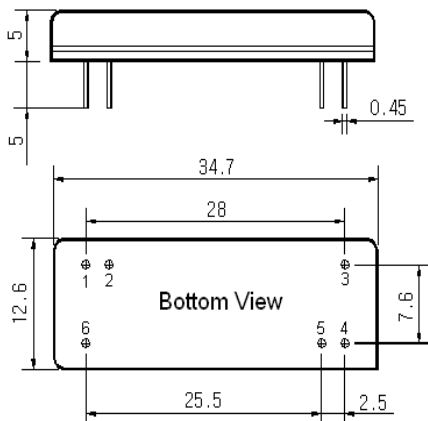
### Typical Performance



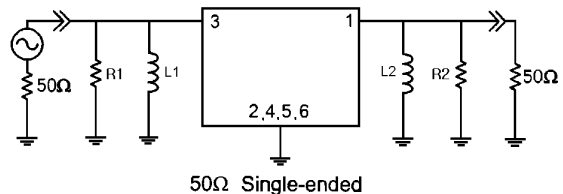
### Specification

Parameter	Unit	Min.	Typ.	Max.
Center Frequency	MHz	-	70.00	-
Insertion Loss	dB	-	24.38	26.00
1dB Bandwidth	MHz	9.20	9.31	-
3dB Bandwidth	MHz	-	9.55	-
40dB Bandwidth	MHz	-	10.43	10.50
Return loss at 1dB Bandwidth	dB	8	10	-
Passband Ripple	dB	-	0.82	1.20
Group Delay Variation	nsec	-	65	120
Absolute Delay	usec	-	3.44	-
Ultimate Attenuation	dB	50	53	-
Substrate Material	-	128-LiNbO <sub>3</sub>		
Temperature Coefficient	ppm/°C	-86		

### Package Dimension



### Matching Configuration



L1=L2=150nH, R1=R2=150 Ω  
 Source / Load Impedance = 50Ω  
 Ambient Temperature = 25°C

Rev.0 080523

