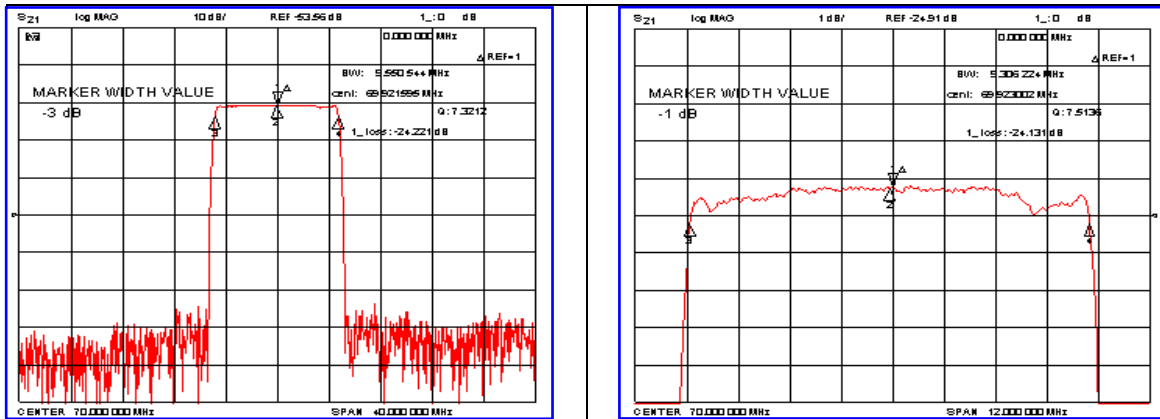


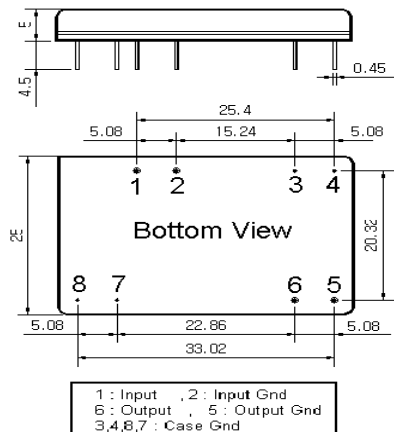
Typical Performance



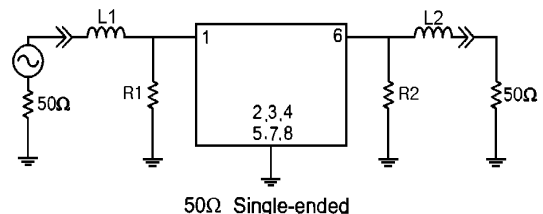
Specification

Parameter	Unit	Min.	Typ.	Max.
Center Frequency	MHz	-	70.00	-
Insertion Loss	dB	-	24.22	26.00
1dB Bandwidth	MHz	9.20	9.30	-
3dB Bandwidth	MHz	-	9.55	-
40dB Bandwidth	MHz	-	10.41	10.50
Return loss at 1dB Bandwidth	dB	7	8	-
Passband Ripple	dB	-	0.75	1.20
Group Delay Variation	nsec	-	80	150
Absolute Delay	usec	-	3.45	-
Ultimate Attenuation	dB	50	54	-
Substrate Material	-	128-LiNbO ₃		
Temperature Coefficient	ppm/°C	-86		

Package Dimension



Matching Configuration



L1=L2=68nH, R1=R2=140 Ω
Source / Load Impedance = 50Ω
Ambient Temperature = 25°C

Rev.0 080523

