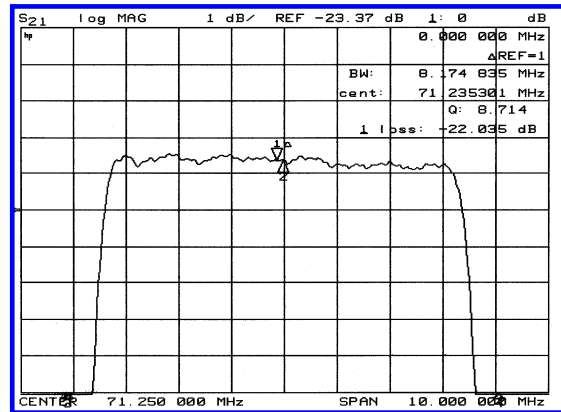
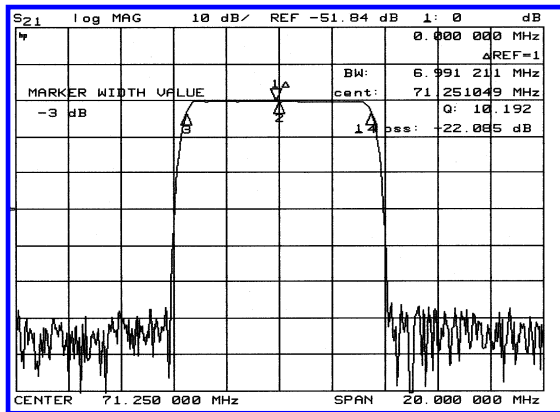


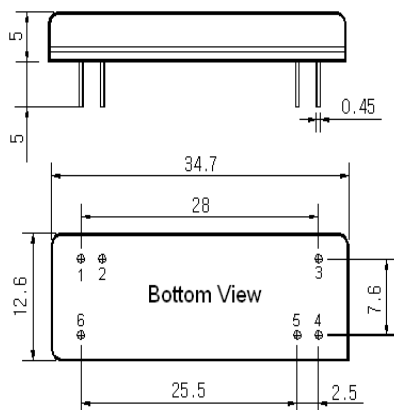
Typical Performance



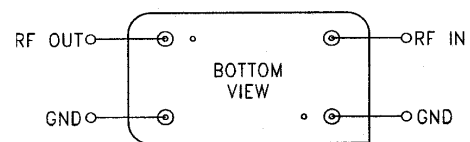
Specification

Parameter	Unit	Min.	Typ.	Max.
Center Frequency	Mhz	71.17	71.25	71.33
Insertion Loss	dB	-	22.00	23.50
1dB Bandwidth	Mhz	6.50	6.68	-
3dB Bandwidth	Mhz	6.90	6.96	-
50dB Bandwidth	Mhz	-	8.17	8.30
Passband Ripple	dB	-	0.55	1.00
Group Delay Variation	nsec	-	100	200
Absolute Delay	µsec	-	3.0	-
Ultimate Attenuation	dB	50.0	-	-
Substrate Material	-	YZ-LiNbO ₃		
Temperature Coefficient	ppm/°C	-94		

Package Dimension



Matching Configuration



No Matching required
 Source / Load Impedance = 50Ω
 Ambient Temperature = 25°C

04/03/2003