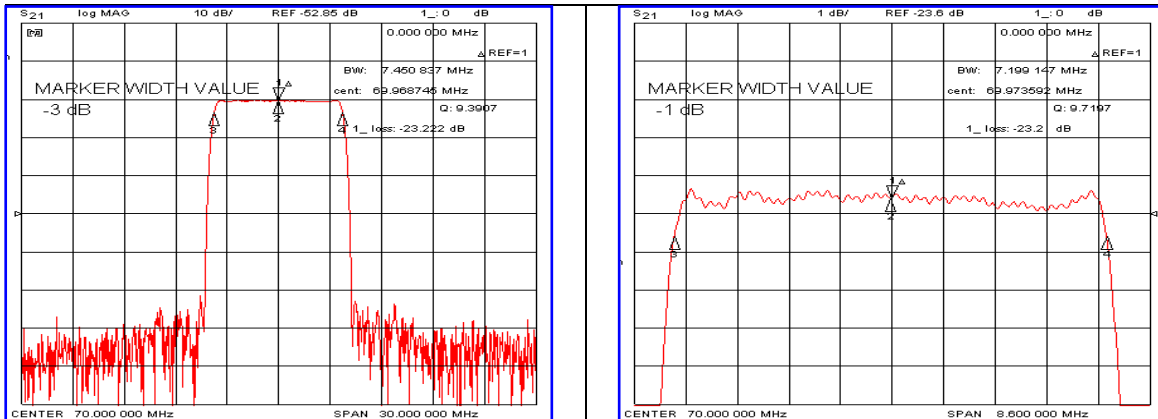


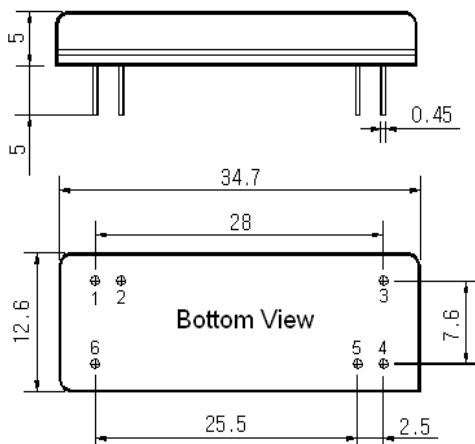
Typical Performance



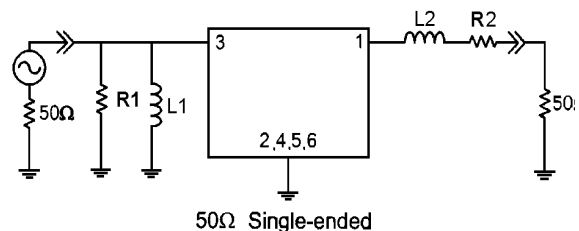
Specification

Parameter	Unit	Min.	Typ.	Max.
Center Frequency	MHz	69.92	70.00	70.08
Insertion Loss	dB	-	23.50	25.00
1dB Bandwidth	MHz	-	7.19	-
3dB Bandwidth	MHz	7.30	7.45	-
50dB Bandwidth	MHz	-	8.53	8.65
Return Loss 1dB Bandwidth	dB	-	15	-
Passband Ripple	dB	-	0.75	1.20
Group Delay Variation	nsec	-	120	250
Absolute Delay	usec	-	3.05	-
Ultimate Attenuation	dB	48	52	-
Substrate Material	-	128-LiNbO ₃		
Temperature Coefficient	ppm/°C	-72		

Package Dimension



Matching Configuration



L1=120nH, L2=100nH, R1=120Ω, R2=33Ω
 Source / Load Impedance = 50Ω
 Ambient Temperature = 25°C

Rev.1 100823

