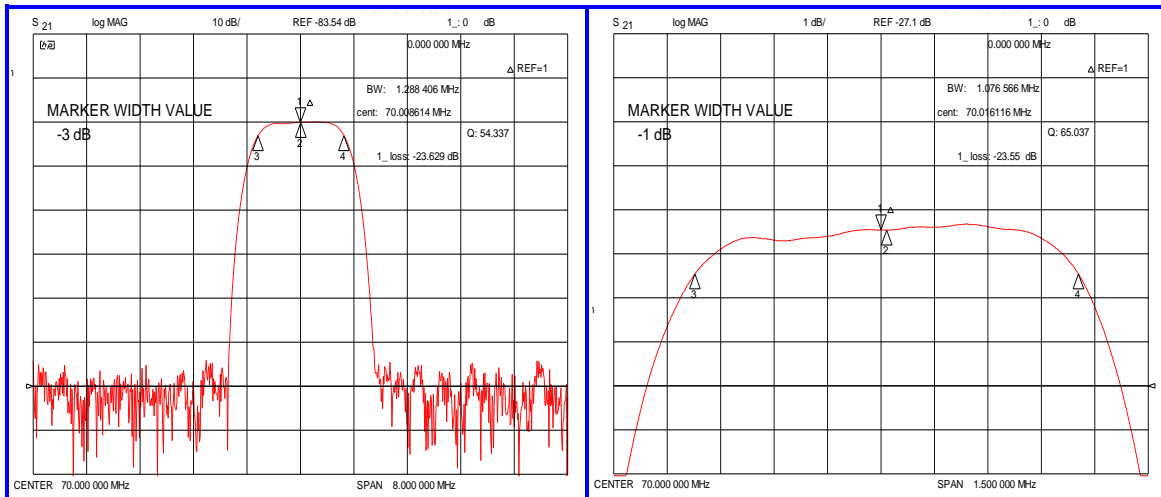


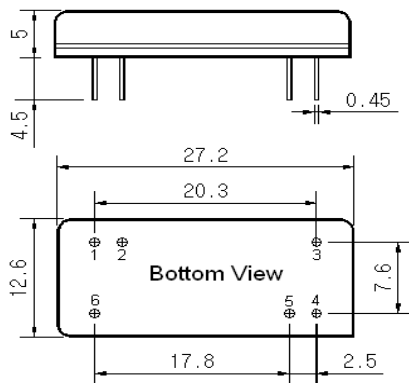
Typical Performance



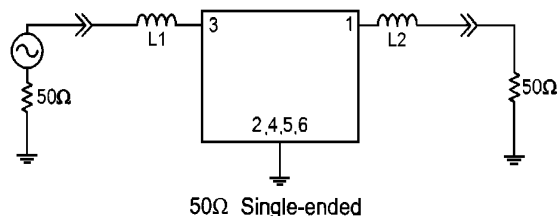
Specification

Parameter	Unit	Min.	Typ.	Max.
Center Frequency	MHz	69.94	70.00	70.06
Insertion Loss	dB	-	23.50	25.50
1dB Bandwidth	MHz	0.95	1.07	-
3dB Bandwidth	MHz	1.20	1.28	-
40dB Bandwidth	MHz	-	2.07	2.15
Passband Ripple	dB	-	0.50	1.00
Group Delay Variation	nsec	-	70	150
Absolute Delay	µsec	-	3.21	-
Ultimate Attenuation	dB	48	53	-
Substrate Material	-	Quartz		
Temperature Coefficient	ppm/°C	-0.03		

Package Dimension



Matching Configuration



L1=180nH, L2=180nH
 Source / Load Impedance = 50Ω
 Ambient Temperature = 25°C

Rev.0 150610

