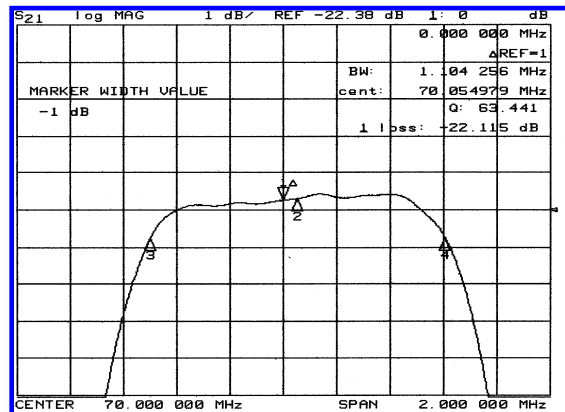
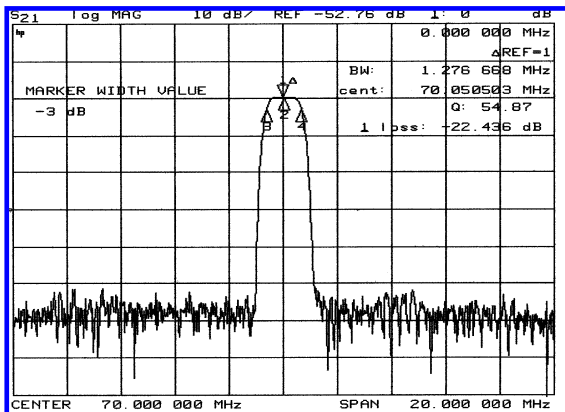


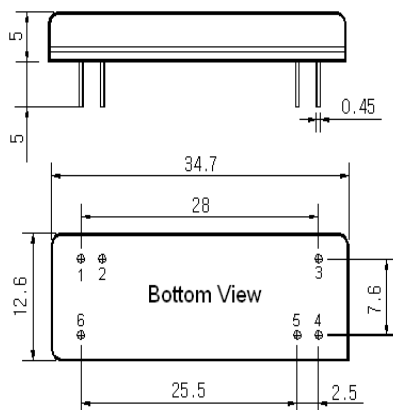
Typical Performance



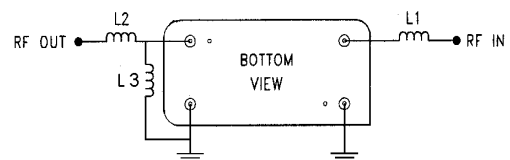
Specification

Parameter	Unit	Min.	Typ.	Max.
Center Frequency	Mhz	69.95	70.00	70.05
Insertion Loss	dB	-	22.50	24.00
1dB Bandwidth	Mhz	1.00	1.10	-
3dB Bandwidth	Mhz	1.23	1.27	-
40dB Bandwidth	Mhz	-	2.05	2.30
Passband Ripple	dB	-	0.55	1.00
Group Delay Variation	nsec	-	150	250
Absolute Delay	µsec	-	3.2	-
Ultimate Attenuation	dB	50	55	
Substrate Material	-	Quartz		
Temperature Coefficient	ppm/°C	-0.03		

Package Dimension



Matching Configuration



L1 = L2 = 0.18µH , L3 = 0.33µH
 Source / Load Impedance = 50Ω
 Ambient Temperature = 25°C

04/20/2004