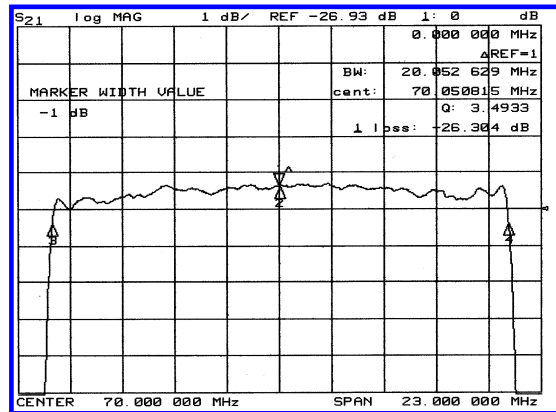
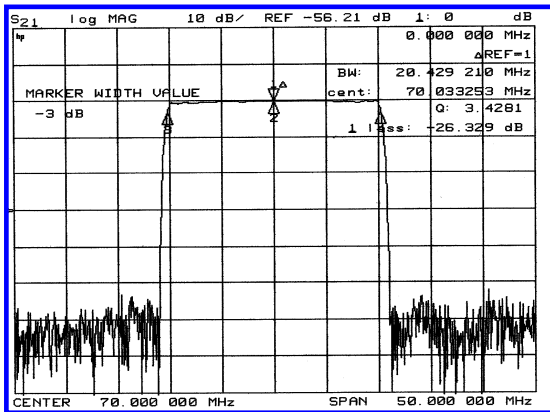


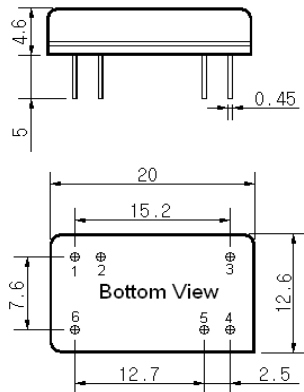
Typical Performance



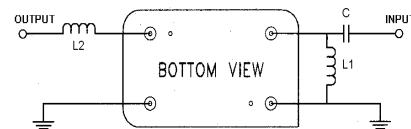
Specification

Parameter	Unit	Min.	Typ.	Max.
Center Frequency	Mhz	69.92	70.00	70.08
Insertion Loss	dB	-	26.50	27.50
1dB Bandwidth	Mhz	19.80	20.05	-
3dB Bandwidth	Mhz	20.20	20.43	-
50dB Bandwidth	Mhz	-	22.00	22.30
Passband Ripple	dB	-	0.65	1.00
Group Delay Variation	nsec	-	50	100
Absolute Delay	sec	-	2.18	-
Ultimate Attenuation	dB	50	55	-
Substrate Material	-	128-LiNbO ₃		

Package Dimension



Matching Configuration



L1=0.12 μ H , L2=0.1 μ H , C=75pF
Source / Load Impedance = 50 Ω
Ambient Temperature = 25 $^{\circ}$ C

12/01/2001