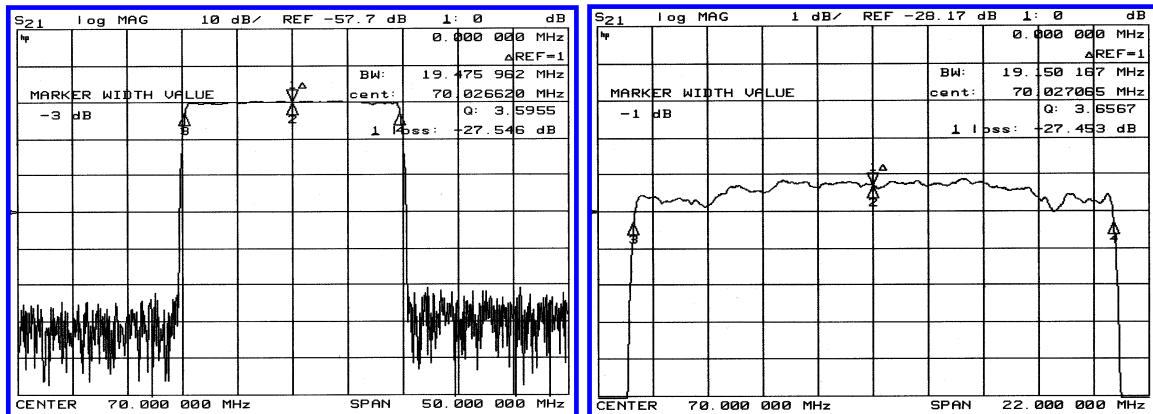


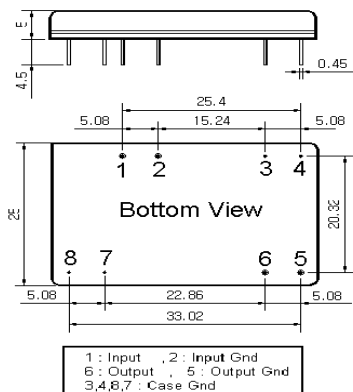
Typical Performance



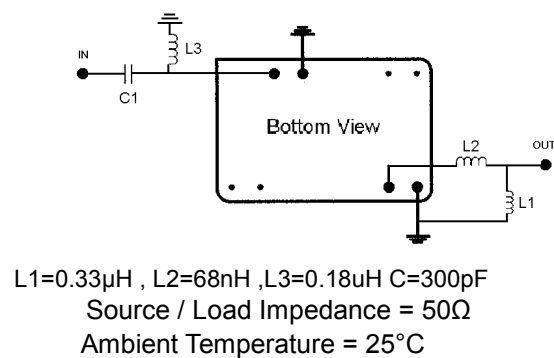
Specification

Parameter	Unit	Min.	Typ.	Max.
Center Frequency	Mhz	69.92	70.00	70.08
Insertion Loss	dB	-	27.50	28.50
1dB Bandwidth	Mhz	19.00	19.15	-
3dB Bandwidth	Mhz	19.4	19.45	-
50dB Bandwidth	Mhz	-	20.75	20.90
Passband Ripple	dB	-	0.75	1.00
Group Delay Variation	nsec	-	70	120
Absolute Delay	sec	-	2.95	-
Ultimate Attenuation	dB	50	55	-
Substrate Material	-	128-LiNbO ₃		

Package Dimension



Matching Configuration



04/28/2004