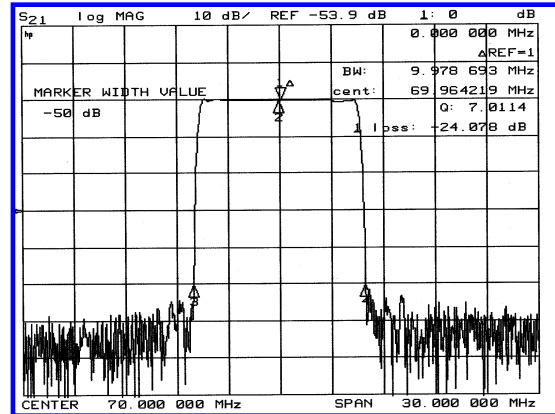
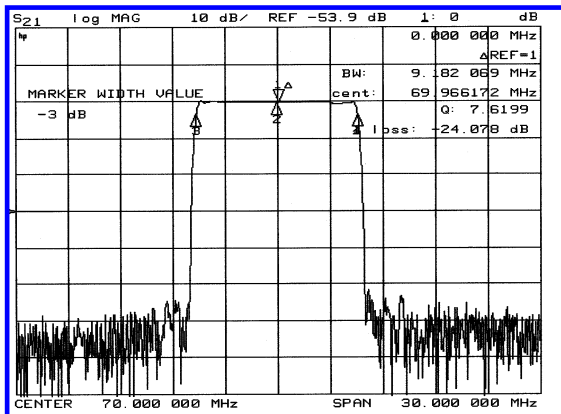


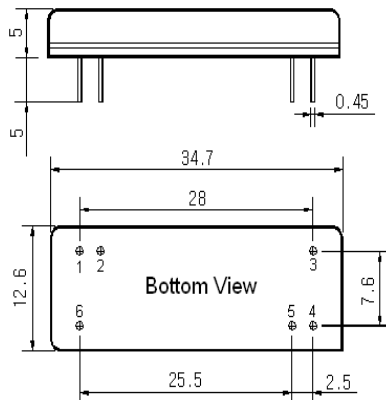
### Typical Performance



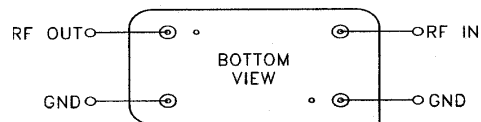
### Specification

Parameter	Unit	Min.	Typ.	Max.
Center Frequency	Mhz	69.92	70.00	70.08
Insertion Loss	dB		24.0	25.5
3dB Bandwidth	Mhz	9.00	9.18	
50dB Bandwidth	Mhz		9.90	10.00
Passband Ripple	dB		0.75	1.00
Group Delay Variation	nsec		100	200
Absolute Delay	μsec		3.98	
Ultimate Attenuation	dB	50	60	
Substrate Material	-		YZ-LiNbO <sub>3</sub>	

### Package Dimension



### Matching Configuration



Bottom View  
 Source / Load Impedance = 50Ω  
 Ambient Temperature = 25°C

01/30/2002