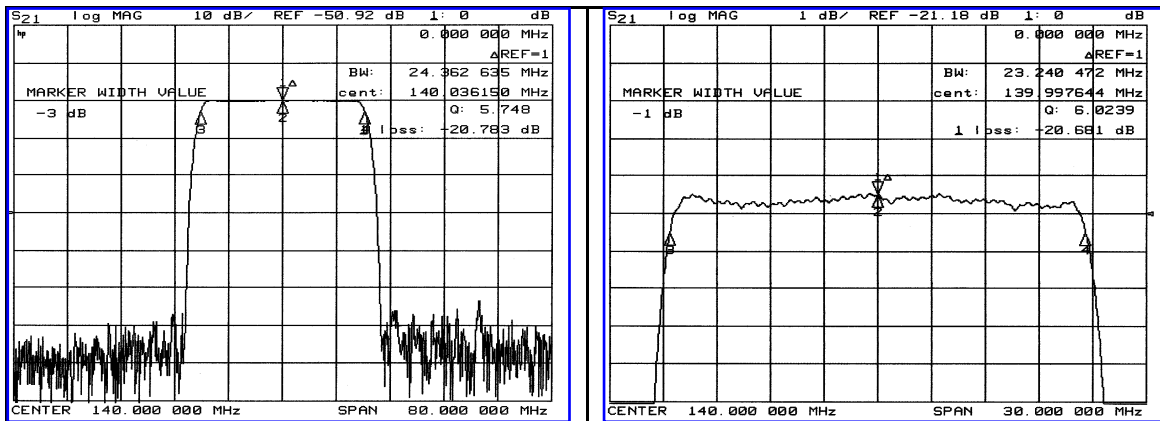


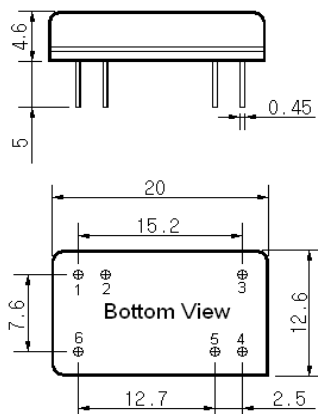
Typical Performance



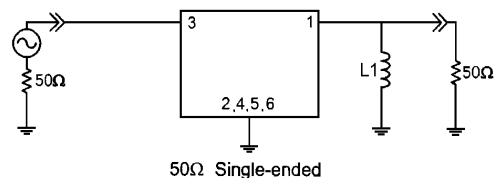
Specification

Parameter	Unit	Min.	Typ.	Max.
Center Frequency	MHz	139.85	140.00	140.15
Insertion Loss	dB	-	21.00	22.50
1dB Bandwidth	MHz	-	23.24	-
3dB Bandwidth	MHz	24.00	24.36	-
40dB Bandwidth	MHz	-	28.35	28.70
50dB Bandwidth	MHz	-	28.73	-
Passband Ripple	dB	-	0.55	1.00
Group Delay Variation	nsec	-	50	100
Absolute Delay	µsec	-	1.0	-
Ultimate Attenuation	dB	50	55	-
Substrate Material	-	128-LiNbO ₃		
Temperature Coefficient	ppm/°C	-72		

Package Dimension



Matching Configuration



L1=39nH
 Source / Load Impedance = 50Ω
 Ambient Temperature = 25°C

05/04/2005