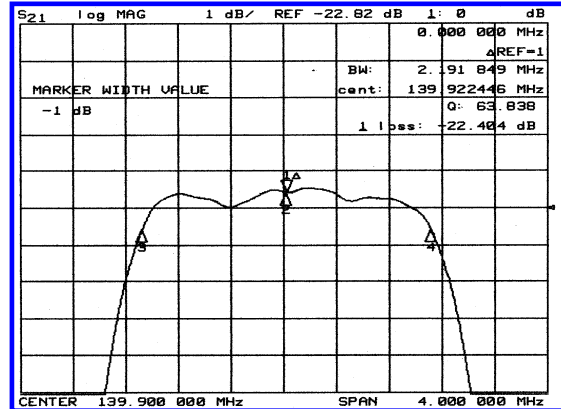
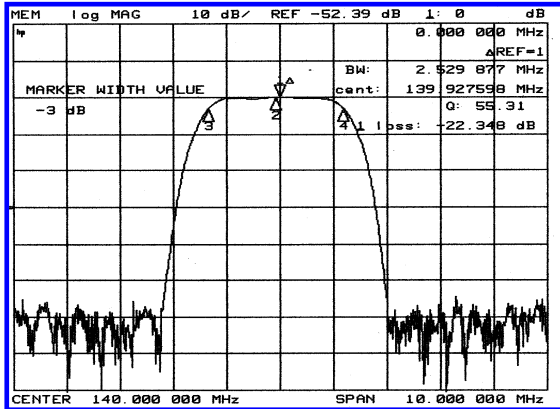


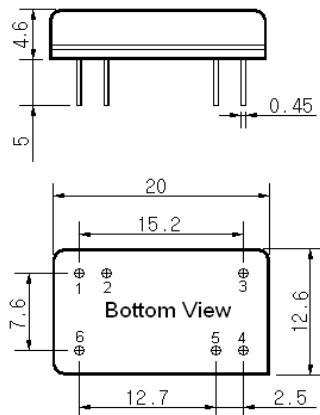
Typical Performance



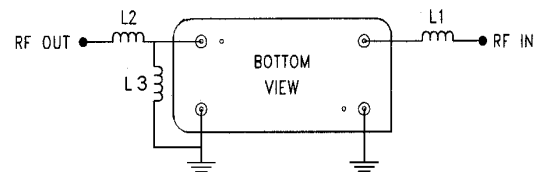
Specification

| Parameter | Unit | Min. | Typ. | Max. |
|-----------------------|------|--------|--------|--------|
| Center Frequency | Mhz | 139.85 | 140.00 | 140.15 |
| Insertion Loss | dB | - | 23.00 | 24.50 |
| 1dB Bandwidth | Mhz | 2.00 | 2.19 | - |
| 3dB Bandwidth | Mhz | 2.50 | 2.52 | - |
| 40dB Bandwidth | Mhz | - | 3.92 | 4.20 |
| Passband Ripple | dB | - | 0.45 | 0.80 |
| Group Delay Variation | nsec | - | 50 | 120 |
| Absolute Delay | μsec | - | 1.85 | - |
| Ultimate Attenuation | dB | 50 | 60 | - |
| Substrate Material | - | Quartz | | |

Package Dimension



Matching Configuration



L1=68nH, L2=33nH, L3=56nH
Source / Load Impedance = 50Ω
Ambient Temperature = 25°C

10/02/2003