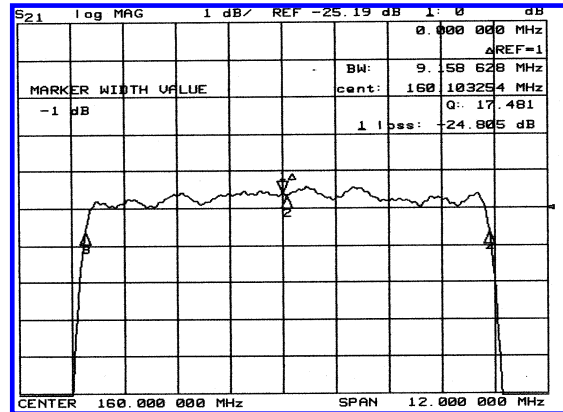
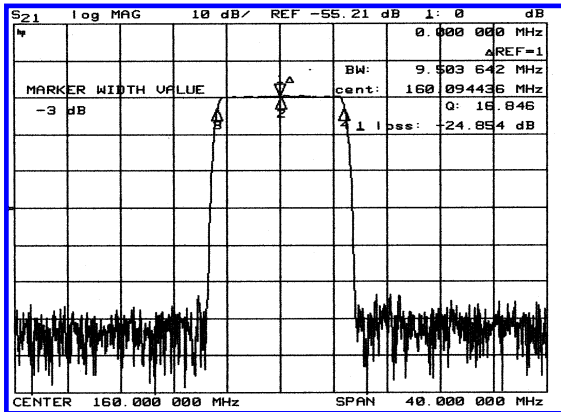


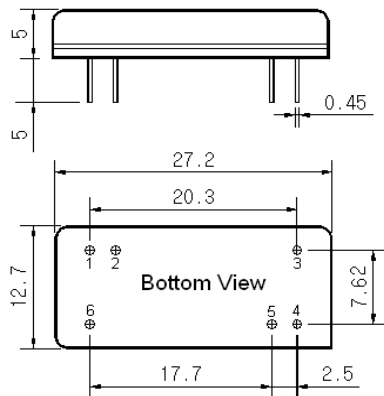
Typical Performance



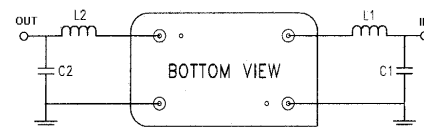
Specification

Parameter	Unit	Min.	Typ.	Max.
Center Frequency	Mhz	159.80	160.00	160.20
Insertion Loss	dB	-	25.00	26.00
1dB Bandwidth	Mhz	9.00	9.12	-
3dB Bandwidth	Mhz	9.40	9.50	-
40dB Bandwidth	Mhz	-	10.85	11.00
Passband Ripple	dB	-	0.65	1.00
Group Delay Variation	nsec	-	70	120
Absolute Delay	µsec	-	2.87	-
Ultimate Attenuation	dB	50	55	-
Substrate Material	-	LiTaO ₃		

Package Dimension



Matching Configuration



L1=18nH, L2=33nH, C1=27, C2=24pF
Source / Load Impedance = 50Ω
Ambient Temperature = 25°C

05-15-2003