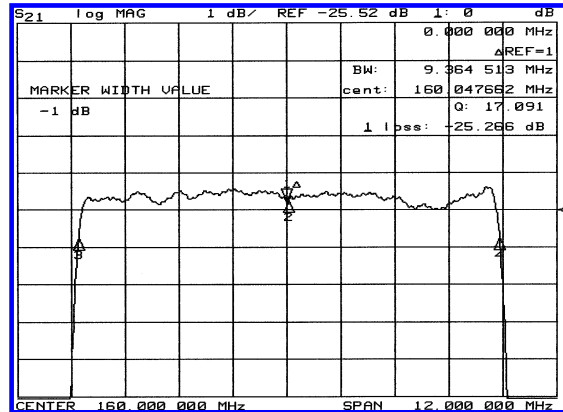
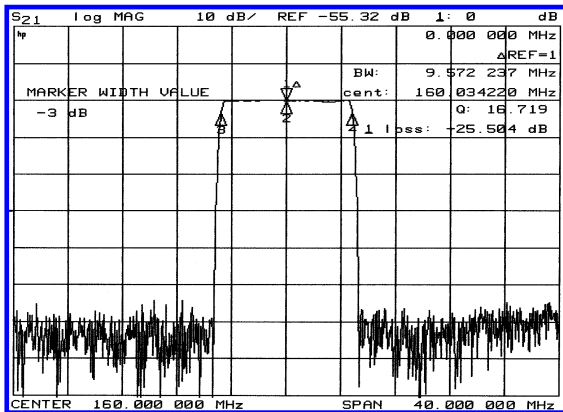


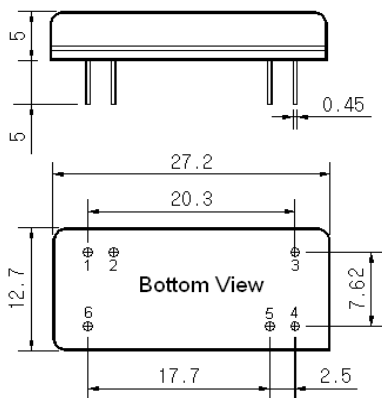
Typical Performance



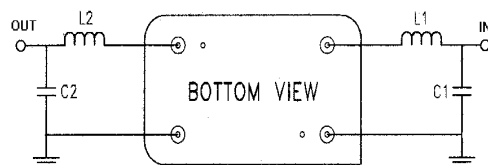
Specification

Parameter	Unit	Min.	Typ.	Max.
Center Frequency	Mhz	158.80	160.00	160.20
Insertion Loss	dB	-	25.5	26.5
1dB Bandwidth	Mhz	9.20	9.34	-
3dB Bandwidth	Mhz	9.40	9.54	-
40dB Bandwidth	Mhz	-	10.48	10.70
Passband Ripple	dB	-	0.65	1.00
Group Delay Variation	nsec	-	100	200
Absolute Delay	μsec	-	3.7	-
Ultimate Attenuation	dB	50	55	-
Substrate Material	-	LiTaO ₃		
Temperature Coefficient	ppm/°C	-20		

Package Dimension



Matching Configuration



L1=27nH, L2=27nH, C1=33pF, C2=33pF
 Source / Load Impedance = 50Ω
 Ambient Temperature = 25°C

12/30/2003