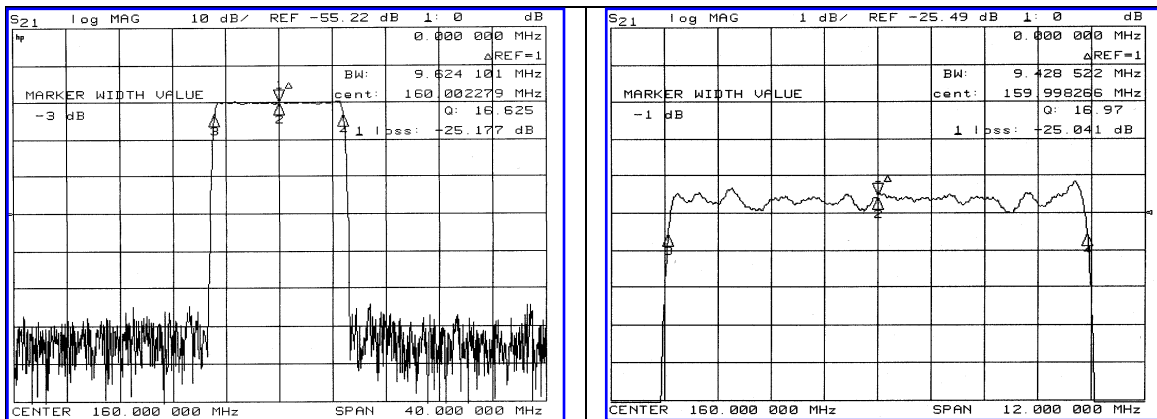


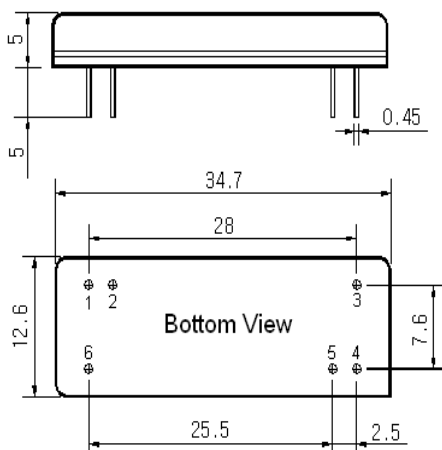
Typical Performance



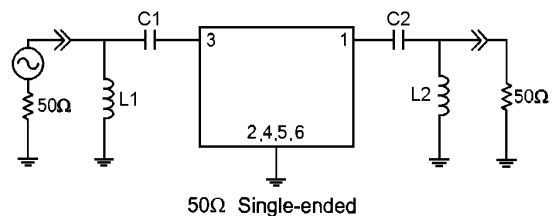
Specification

Parameter	Unit	Min.	Typ.	Max.
Center Frequency (Fc)	MHz	-	160.00	-
Insertion Loss	dB	-	25.50	26.00
1dB Bandwidth	MHz	-	9.42	-
3dB Bandwidth	MHz	9.50	9.62	-
40dB Bandwidth	MHz	-	10.44	10.50
Passband Ripple (Fc±4.665MHz)	dB	-	0.88	1.50
Group Delay Variation	nsec	-	100	200
Absolute Delay	µsec	-	4.08	-
Ultimate Attenuation	dB	50	55	-
Substrate Material	-	LiTaO ₃		
Temperature Coefficient	ppm/°C	-20		

Package Dimension



Matching Configuration



L1=22nH, L2=27nH, C1=91pF, C2=82pF
 Source / Load Impedance = 50Ω
 Ambient Temperature = 25°C

12/07/2005

