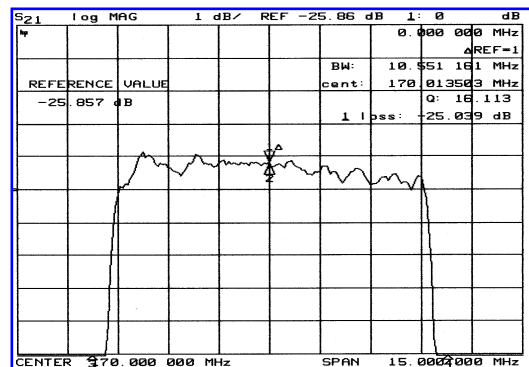
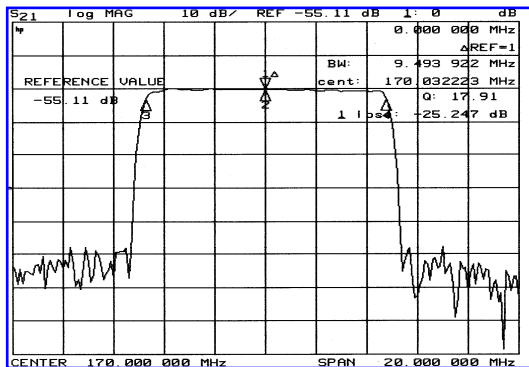


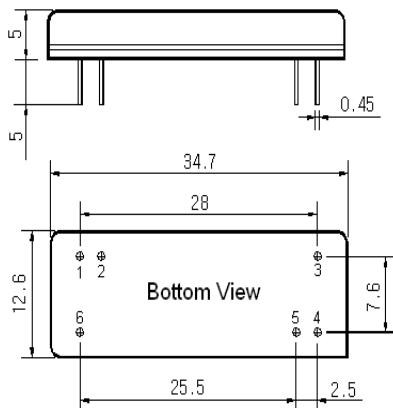
Typical Performance



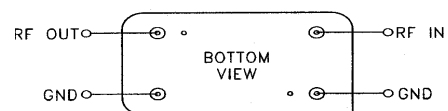
Specification

Parameter	Unit	Min.	Typ.	Max.
Center Frequency	Mhz	169.9	170.0	170.1
Insertion Loss	dB		25.0	27.0
3dB Bandwidth	Mhz	9.30	9.50	
40dB Bandwidth	Mhz		10.55	10.85
Passband Ripple	dB		1.0	1.2
Group Delay Variation	nsec		150	200
Absolute Delay	usec		2.9	
Ultimate Attenuation	dB	45	50	
Substrate Material	-		YZ LiNbO ₃	

Package Dimension



Matching Configuration



Bottom View

Source / Load Impedance = 50Ω

Ambient Temperature = 25°C