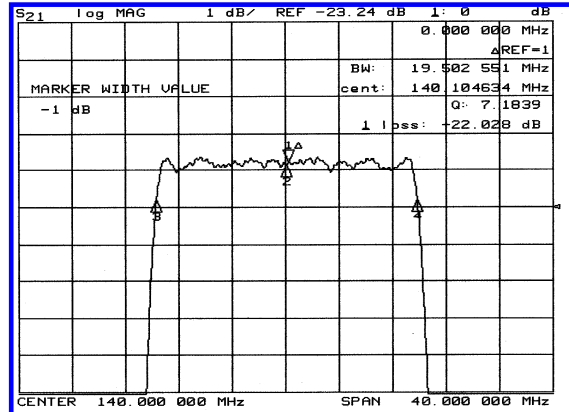
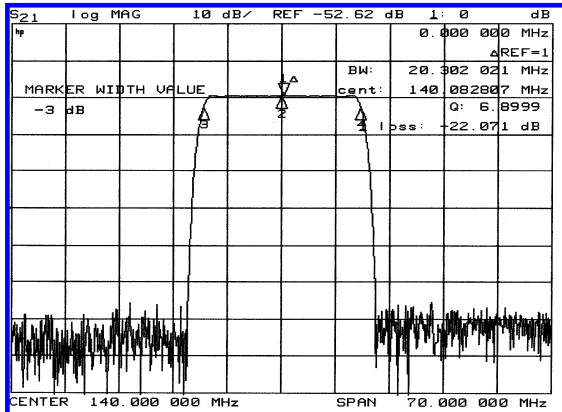


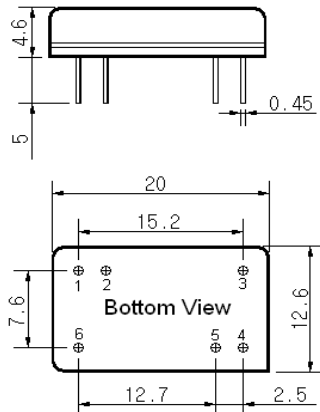
Typical Performance



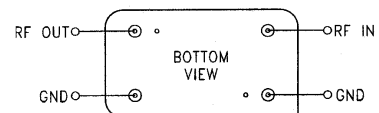
Specification

Parameter	Unit	Min.	Typ.	Max.
Center Frequency	Mhz	139.85	140.00	140.15
Insertion Loss	dB	-	22.5	24.0
1dB Bandwidth	Mhz	19.30	19.50	-
3dB Bandwidth	Mhz	20.00	20.30	-
40dB Bandwidth	Mhz	-	23.78	24.00
Passband Ripple	dB	-	0.45	0.80
Group Delay Variation	nsec	-	50	100
Absolute Delay	µsec	-	1.22	-
Ultimate Attenuation	dB	50	60	-
Substrate Material	-	128 LiNbO ₃		

Package Dimension



Matching Configuration



No Matching Required
Source / Load Impedance = 50Ω
Ambient Temperature = 25°C

12-28-2002