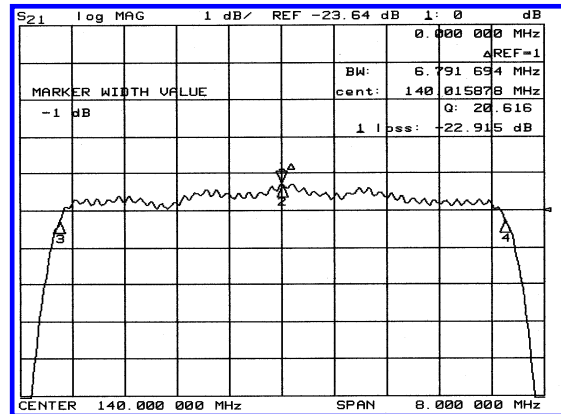
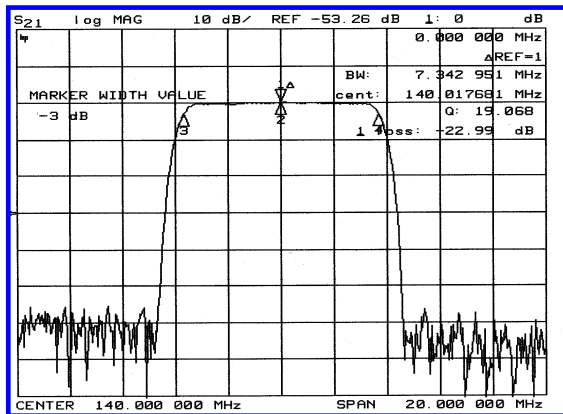


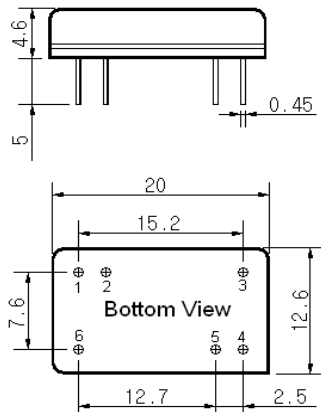
Typical Performance



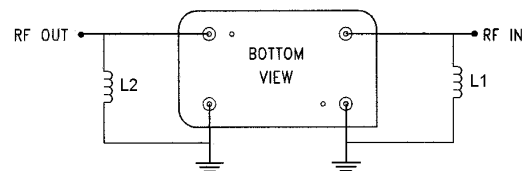
Specification

Parameter	Unit	Min.	Typ.	Max.
Center Frequency	Mhz	139.85	140.00	140.15
Insertion Loss	dB		23.0	24.5
1dB Bandwidth	Mhz	6.50	6.80	
3dB Bandwidth	Mhz	7.00	7.30	
40dB Bandwidth	Mhz		9.00	9.30
Passband Ripple	dB		0.65	1.00
Group Delay Variation	nsec		70	120
Absolute Delay	μsec		3.00	
Ultimate Attenuation	dB	50	60	
Substrate Material	-		LiTaO ₃	

Package Dimension



Matching Configuration



L1 = 12nH , L2 = 100nH
 Source / Load Impedance = 50Ω
 Ambient Temperature = 25°C

07-22-2002