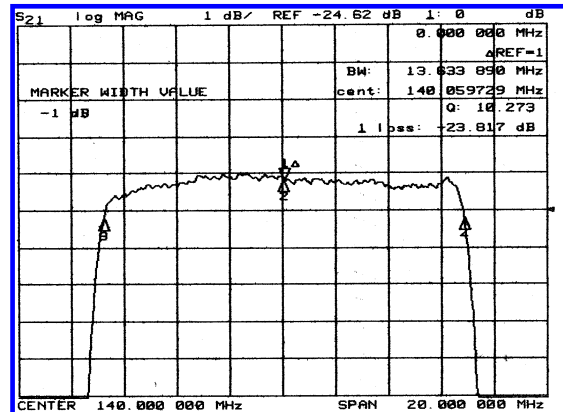
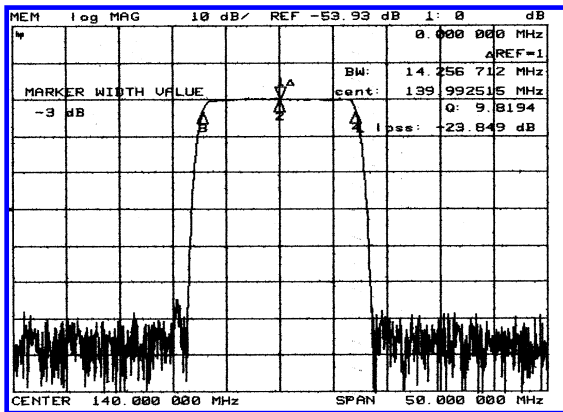


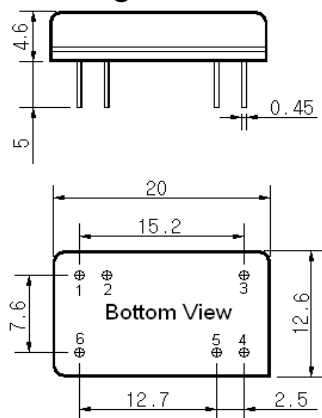
### Typical Performance



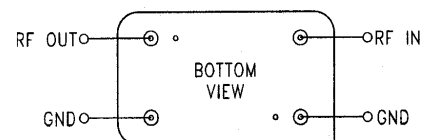
### Specification

Parameter	Unit	Min.	Typ.	Max.
Center Frequency	Mhz	139.85	140.00	140.15
Insertion Loss	dB	-	23.5	25.0
1dB Bandwidth	Mhz	13.40	13.63	-
3dB Bandwidth	Mhz	14.00	14.20	-
40dB Bandwidth	Mhz	-	16.70	17.00
Passband Ripple	dB	-	0.75	1.00
Group Delay Variation	nsec	-	70	120
Absolute Delay	μsec	-	1.62	-
Ultimate Attenuation	dB	50	60	-
Substrate Material	-	YZ LiNbO <sub>3</sub>		

### Package Dimension



### Matching Configuration



No Matching Required  
 Source / Load Impedance = 50Ω  
 Ambient Temperature = 25°C

12-01-2001