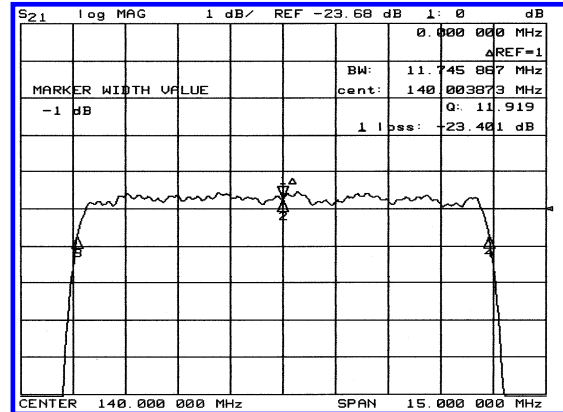
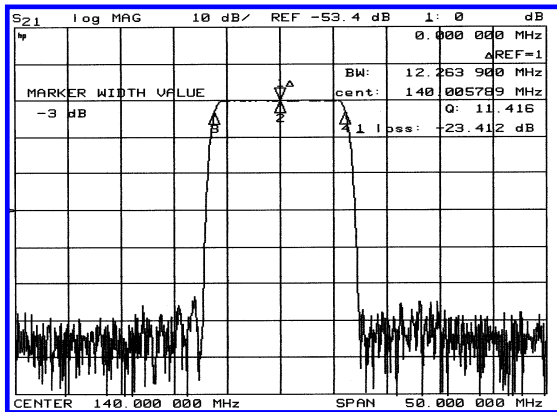


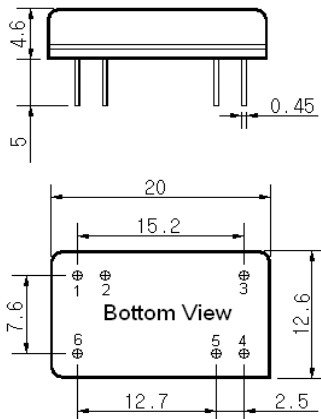
Typical Performance



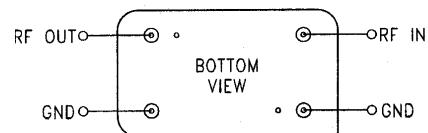
Specification

Parameter	Unit	Min.	Typ.	Max.
Center Frequency	Mhz	139.80	140.00	140.20
Insertion Loss	dB	-	23.50	25.00
1dB Bandwidth	MHz	11.50	11.74	-
3dB Bandwidth	Mhz	12.00	12.25	-
50dB Bandwidth	Mhz	-	14.47	15.00
Passband Ripple	dB	-	0.45	0.80
Group Delay Variation	nsec	-	80	150
Absolute Delay	µsec	-	1.74	-
Ultimate Attenuation	dB	50	60	-
Substrate Material	-	YZ- LiNbO ₃		

Package Dimension



Matching Configuration



No Matching Required
 Source / Load Impedance = 50Ω
 Ambient Temperature = 25°C

09/17/2002