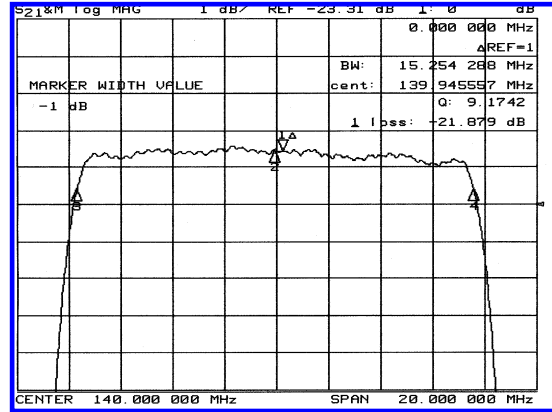
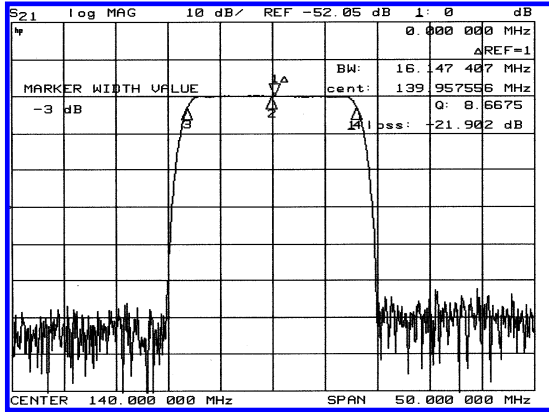


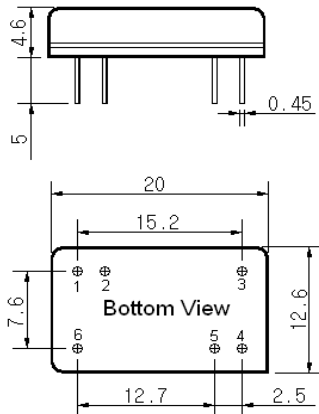
### Typical Performance



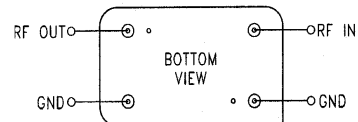
### Specification

Parameter	Unit	Min.	Typ.	Max.
Center Frequency	Mhz	139.80	140.00	140.20
Insertion Loss	dB	-	22.00	23.50
1dB Bandwidth	MHz	15.00	15.25	-
3dB Bandwidth	Mhz	16.00	16.15	-
40dB Bandwidth	Mhz	-	19.57	19.80
Passband Ripple	dB	-	0.45	0.70
Group Delay Variation	nsec	-	50	80
Absolute Delay	μsec	-	1.23	-
Ultimate Attenuation	dB	50	55	-
Substrate Material	-	YZ-LiNbO <sub>3</sub>		

### Package Dimension



### Matching Configuration



No Matching Required  
 Source / Load Impedance = 50Ω  
 Ambient Temperature = 25°C

05/14/2002