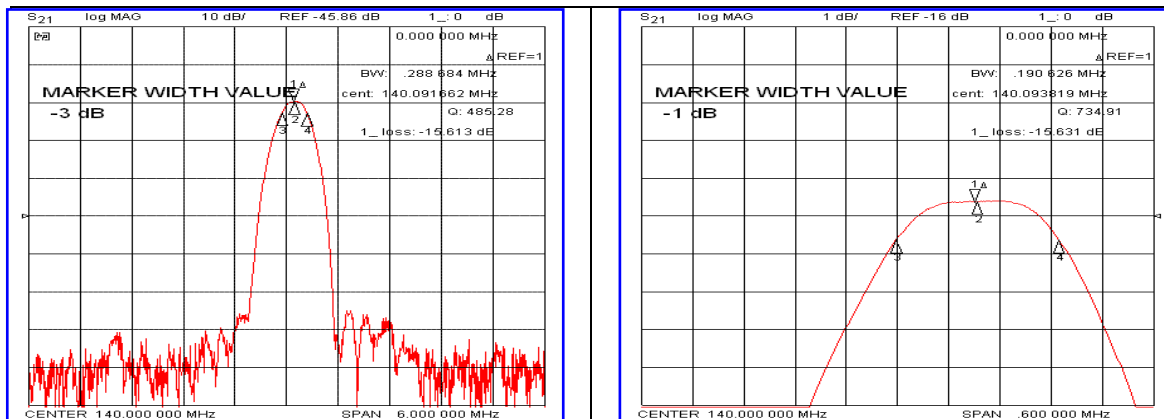


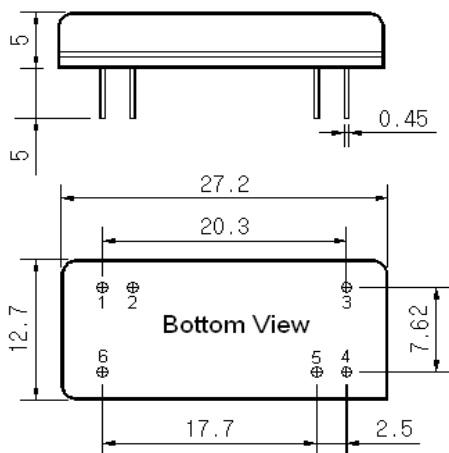
Typical Performance



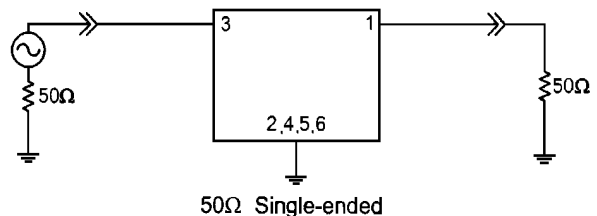
Specification

Parameter	Unit	Min.	Typ.	Max.
Center Frequency	MHz	139.90	140.00	140.10
Insertion Loss	dB	-	15.60	18.00
1dB Bandwidth	MHz	-	0.19	-
3dB Bandwidth	MHz	0.20	0.28	-
40dB Bandwidth	MHz	-	0.87	1.00
Passband Ripple	dB	-	0.30	0.60
Group Delay Variation	nsec	-	300	400
Absolute Delay	µsec	-	3.10	-
Ultimate Attenuation	dB	50	55	-
Substrate Material	-	Quartz		
Temperature Coefficient	ppm/°C	-0.032		

Package Dimension



Matching Configuration



No Matching Required
 Source / Load Impedance = 50Ω
 Ambient Temperature = 25°C

Rev.0 120517

