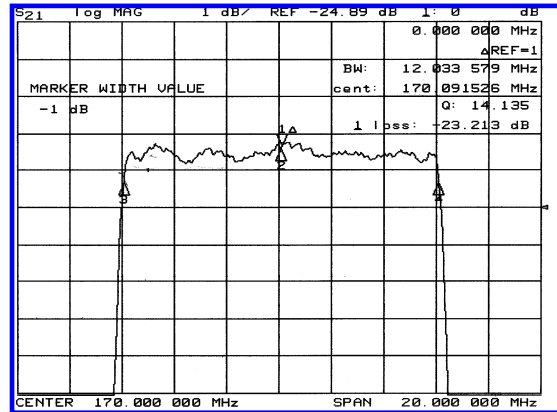
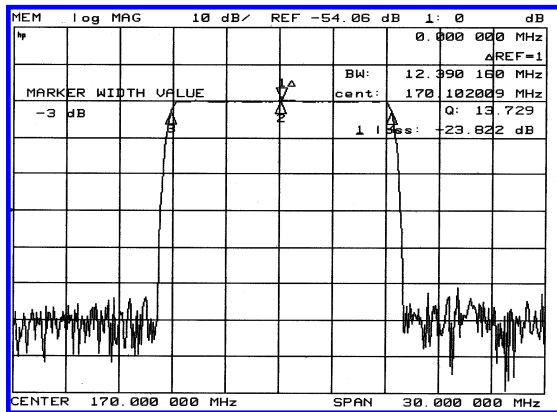


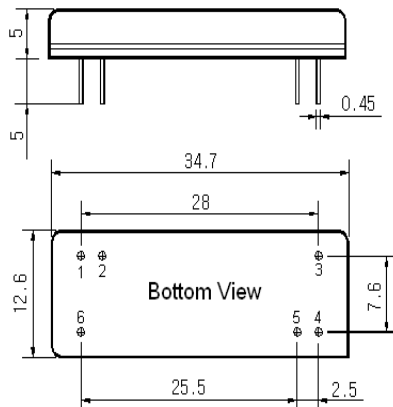
Typical Performance



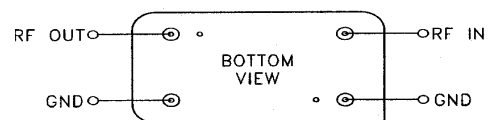
Specification

Parameter	Unit	Min.	Typ.	Max.
Center Frequency	Mhz	169.75	170.00	170.25
Insertion Loss	dB	-	24.00	25.50
1dB Bandwidth	Mhz	11.80	12.03	-
3dB Bandwidth	Mhz	12.20	12.40	-
50dB Bandwidth	Mhz	-	13.75	14.00
Passband Ripple	dB	-	0.65	1.00
Group Delay Variation	nsec	-	100	200
Absolute Delay	µsec	-	2.35	-
Ultimate Attenuation	dB	50	55	-
Substrate Material	-	128-LiNbO ₃		

Package Dimension



Matching Configuration



Bottom View
Source / Load Impedance = 50Ω
Ambient Temperature = 25°C

08/20/2001