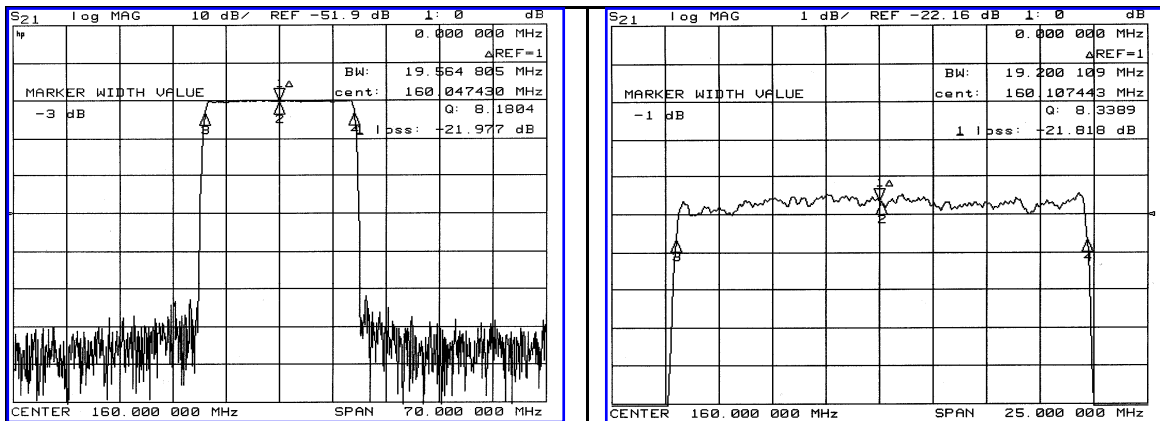


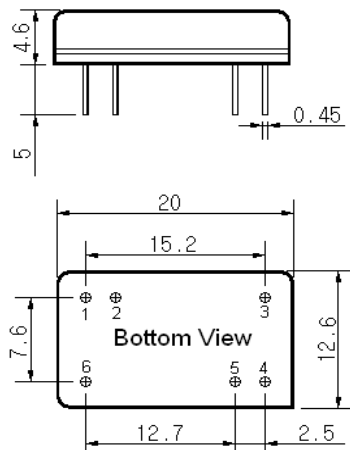
### Typical Performance



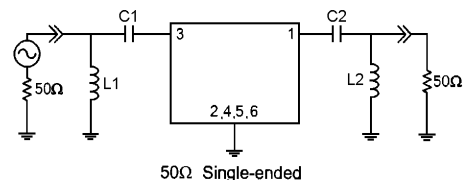
### Specification

Parameter	Unit	Min.	Typ.	Max.
Center Frequency	MHz	159.85	160.05	160.20
Insertion Loss	dB	-	22.00	24.00
1dB Bandwidth	MHz	-	19.20	-
3dB Bandwidth	MHz	19.40	19.56	-
40dB Bandwidth	MHz	-	21.06	21.30
Passband Ripple	dB	-	0.55	1.00
Group Delay Variation	nsec	-	50	100
Absolute Delay	µsec	-	2.10	-
Ultimate Attenuation	dB	50	55	-
Substrate Material	-	128-LiNbO <sub>3</sub>		
Temperature Coefficient	ppm/°C	-72		

### Package Dimension



### Matching Configuration



L1=L2=68nH, C1=C2=150pF  
 Source / Load Impedance = 50Ω  
 Ambient Temperature = 25°C

11/28/2005

