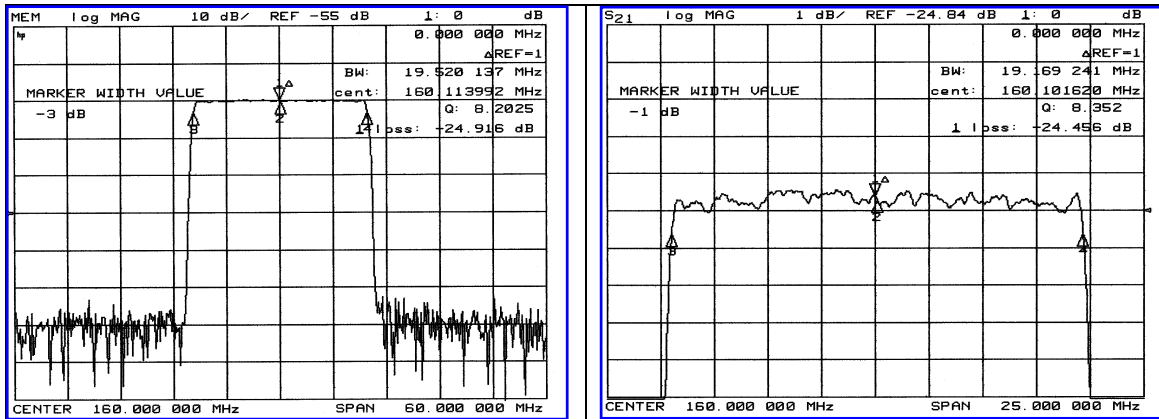


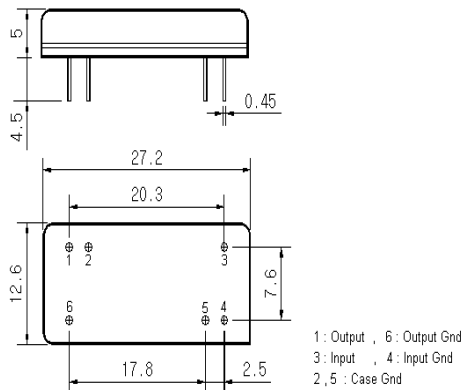
Typical Performance



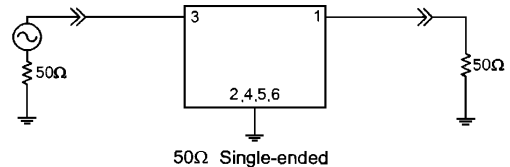
Specification

Parameter	Unit	Min.	Typ.	Max.
Center Frequency	MHz	159.80	160.10	160.30
Insertion Loss	dB	-	25.00	26.50
1dB Bandwidth	MHz	-	19.16	-
3dB Bandwidth	MHz	19.45	19.55	-
40dB Bandwidth	MHz	-	21.05	-
50dB Bandwidth	MHz	-	21.10	21.30
Passband Ripple	dB	-	0.65	1.00
Group Delay Variation	nsec	-	80	150
Absolute Delay	µsec	-	2.2	-
Ultimate Attenuation	dB	50	55	-
Substrate Material	-	128-LiNbO ₃		
Temperature Coefficient	ppm/°C	-72		

Package Dimension



Matching Configuration



No Matching Required
Source / Load Impedance = 50Ω
Ambient Temperature = 25°C

04/16/2005