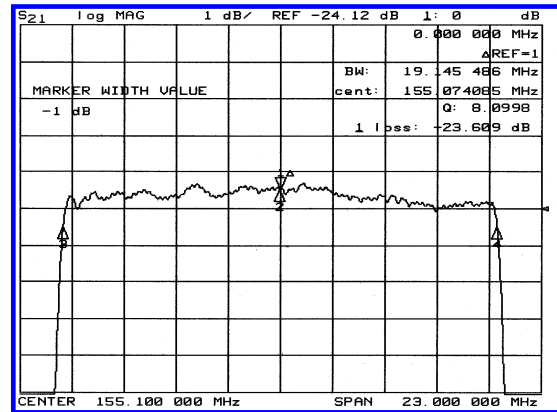
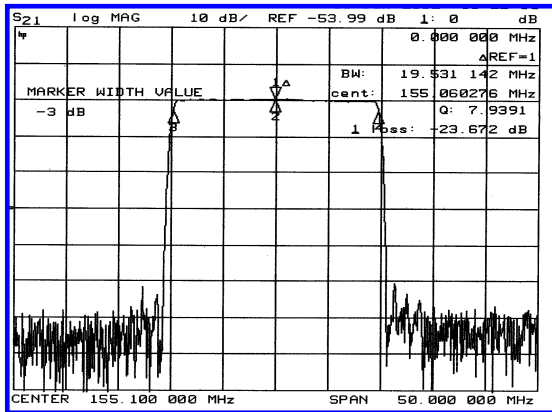


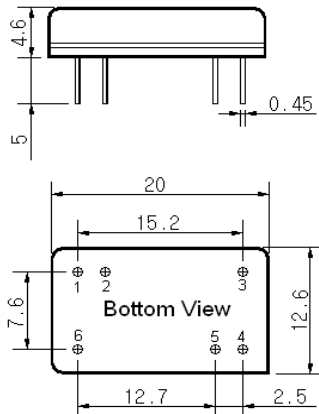
Typical Performance



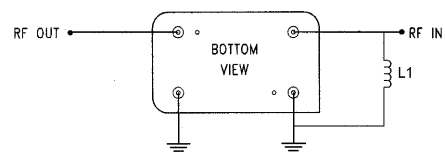
Specification

Parameter	Unit	Min.	Typ.	Max.
Center Frequency	Mhz	155.00	155.10	155.20
Insertion Loss	dB	-	23.50	25.00
1dB Bandwidth	MHz	18.90	19.15	-
3dB Bandwidth	Mhz	19.40	19.55	-
50dB Bandwidth	Mhz	-	21.20	21.40
Passband Ripple	dB	-	0.75	1.00
Group Delay Variation	nsec	-	70	150
Absolute Delay	µsec	-	2.12	-
Ultimate Attenuation	dB	50	55	-
Substrate Material	-	128-LiNbO ₃		

Package Dimension



Matching Configuration



L1 = 120nH
 Source / Load Impedance = 50Ω
 Ambient Temperature = 25°C

05/14/2002