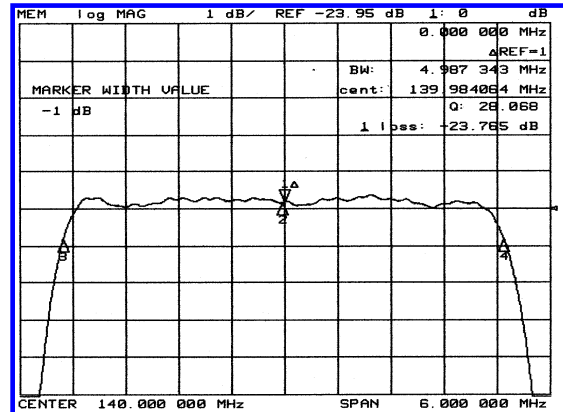
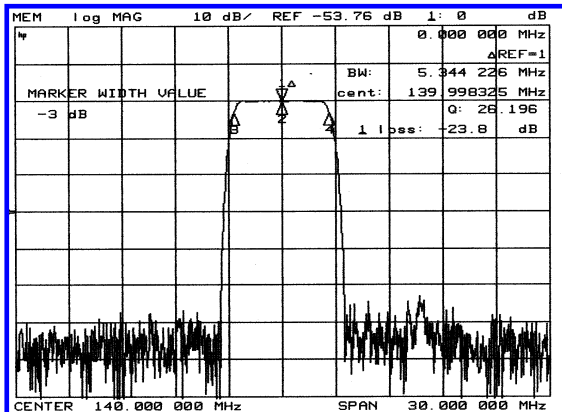


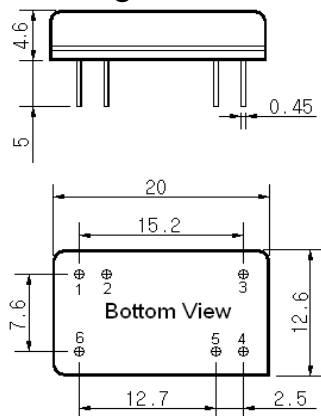
Typical Performance



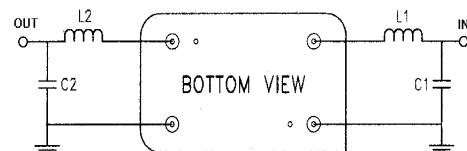
Specification

Parameter	Unit	Min.	Typ.	Max.
Center Frequency	Mhz	139.85	140.00	140.15
Insertion Loss	dB	-	24.00	25.50
1dB Bandwidth	MHz	4.80	4.95	-
3dB Bandwidth	Mhz	5.00	5.35	-
40dB Bandwidth	Mhz	-	6.76	7.00
Passband Ripple	dB	-	0.45	0.80
Group Delay Variation	nsec	-	100	200
Absolute Delay	µsec	-	2.61	-
Ultimate Attenuation	dB	50	60	-
Substrate Material	-	LiTaO ₃		

Package Dimension



Matching Configuration



L1=27nH, L2=33nH, C1=43pF, C2=36pF
Source / Load Impedance = 50Ω
Ambient Temperature = 25°C

10/02/2003