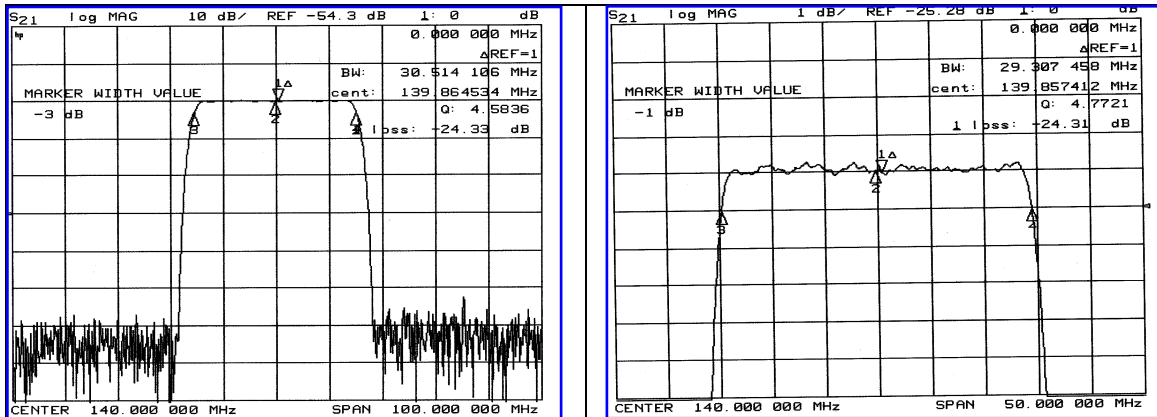


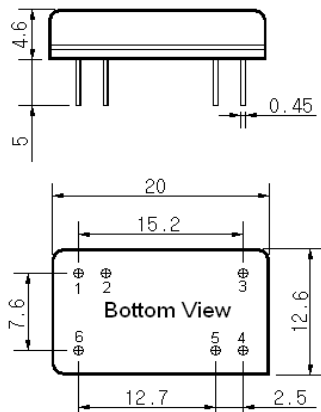
Typical Performance



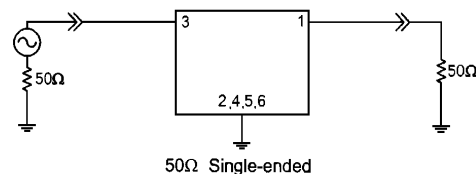
Specification

Parameter	Unit	Min.	Typ.	Max.
Center Frequency	MHz	139.85	140.00	140.15
Insertion Loss	dB	-	24.50	26.00
1dB Bandwidth	MHz	-	29.30	-
3dB Bandwidth	MHz	30.00	30.50	-
40dB Bandwidth	MHz	-	35.75	36.00
Passband Ripple	dB	-	0.45	0.80
Group Delay Variation	nsec	-	50	100
Absolute Delay	µsec	-	0.90	-
Ultimate Attenuation	dB	50	55	-
Substrate Material	-	128-LiNbO ₃		

Package Dimension



Matching Configuration



No matching Required
Source / Load Impedance = 50Ω
Ambient Temperature = 25°C

06/21/2006