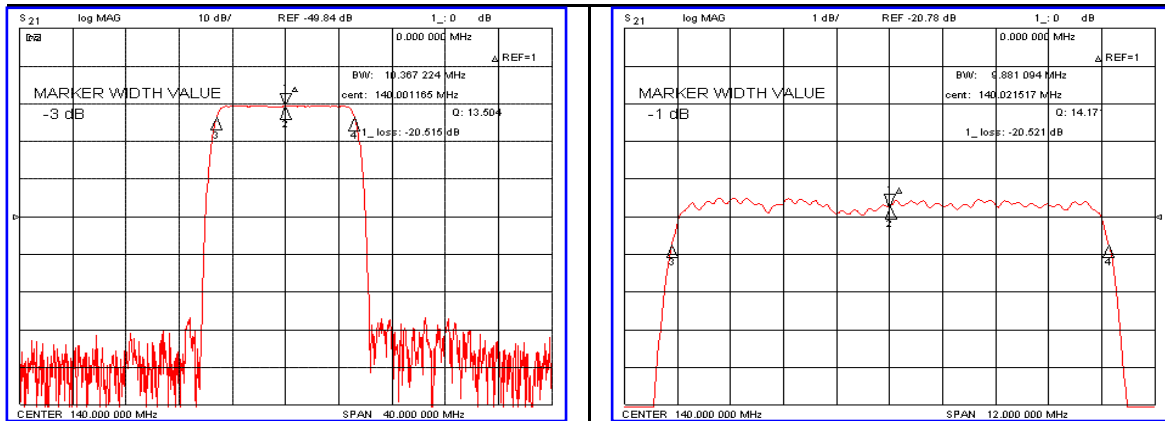


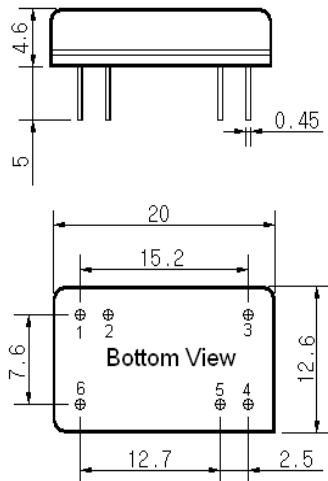
Typical Performance



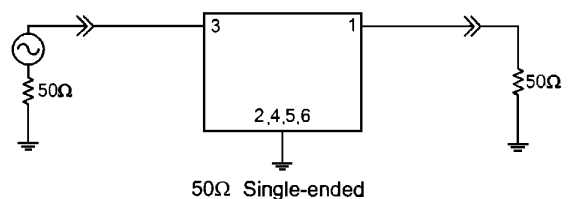
Specification

Parameter	Unit	Min.	Typ.	Max.
Center Frequency (Fc)	MHz	139.80	140.00	140.20
Insertion Loss	dB	-	21.00	23.00
1dB Bandwidth	MHz	9.50	9.88	-
3dB Bandwidth	MHz	10.00	10.36	-
40dB Bandwidth	MHz	-	12.30	12.50
Passband Ripple	dB	-	0.50	1.00
Group Delay Variation	nsec	-	90	150
Absolute Delay	µsec	-	1.62	-
Ultimate Attenuation	dB	50	55	-
Substrate Material	-	YZ-LiNbO ₃		
Temperature Coefficient	ppm/°C	-94		

Package Dimension



Matching Configuration



No Matching Required
 Source / Load Impedance = 50Ω
 Ambient Temperature = 25°C

Rev0. 070807

