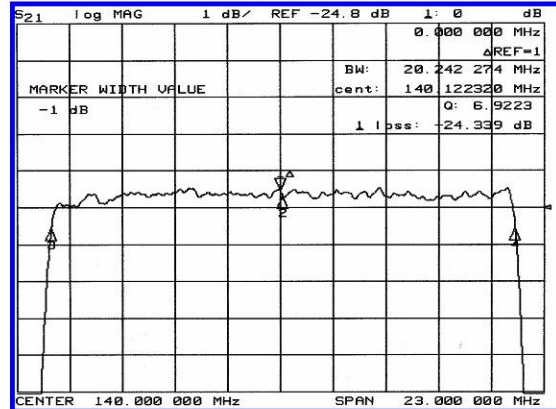
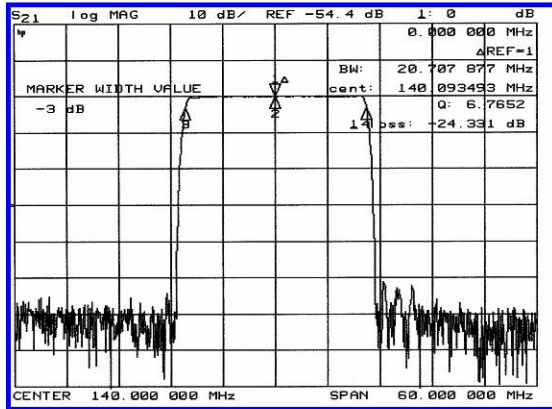


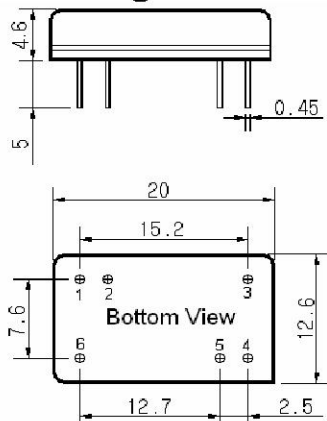
Typical Performance



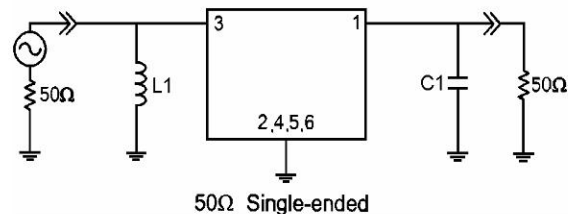
Specification

| Parameter | Unit | Min. | Typ. | Max. |
|-----------------------|------|------------------------|--------|--------|
| Center Frequency | Mhz | 139.80 | 140.00 | 140.20 |
| Insertion Loss | dB | - | 24.50 | 26.00 |
| 1dB Bandwidth | MHz | 20.00 | 20.24 | - |
| 3dB Bandwidth | Mhz | 20.50 | 20.70 | - |
| 40dB Bandwidth | Mhz | - | 22.63 | 22.90 |
| Passband Ripple | dB | - | 0.55 | 0.80 |
| Group Delay Variation | nsec | - | 50 | 100 |
| Absolute Delay | µsec | - | 1.63 | - |
| Ultimate Attenuation | dB | 50 | 55 | - |
| Substrate Material | - | 128 LiNbO ₃ | | |

Package Dimension



Matching Configuration



L1=68nH , C1 = 10pF
Source / Load Impedance = 50Ω
Ambient Temperature = 25°C

Rev0. 080625