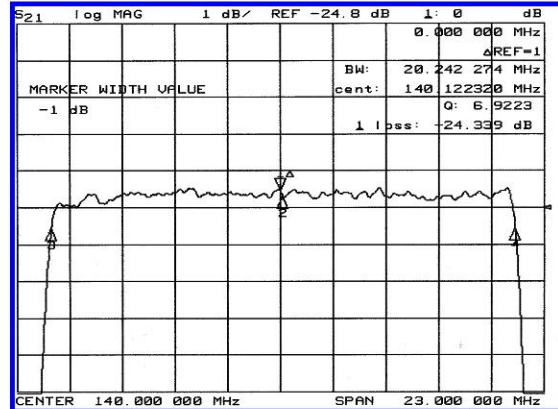
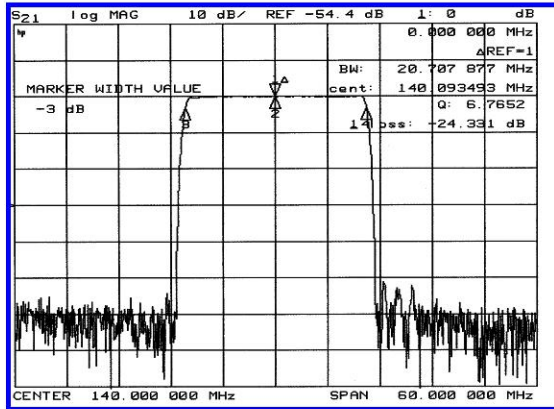


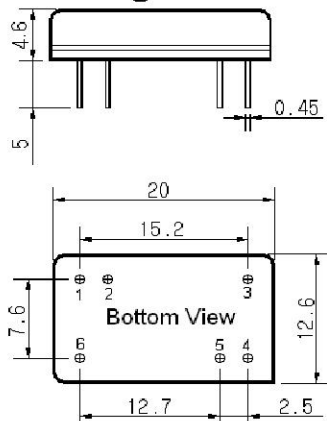
Typical Performance



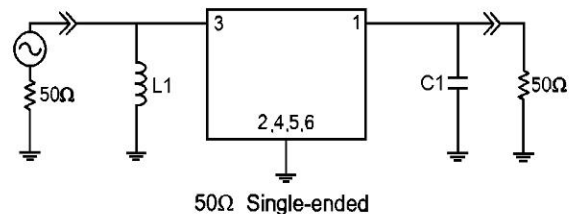
Specification

Parameter	Unit	Min.	Typ.	Max.
Center Frequency	Mhz	139.80	140.00	140.20
Insertion Loss	dB	-	24.50	26.00
1dB Bandwidth	MHz	20.00	20.24	-
3dB Bandwidth	Mhz	20.50	20.70	-
40dB Bandwidth	Mhz	-	22.63	22.90
Passband Ripple	dB	-	0.55	0.80
Group Delay Variation	nsec	-	50	100
Absolute Delay	µsec	-	1.63	-
Ultimate Attenuation	dB	50	55	-
Substrate Material	-	128 LiNbO ₃		

Package Dimension



Matching Configuration



L1=68nH , C1 = 10pF
 Source / Load Impedance = 50Ω
 Ambient Temperature = 25°C

Rev0. 080625